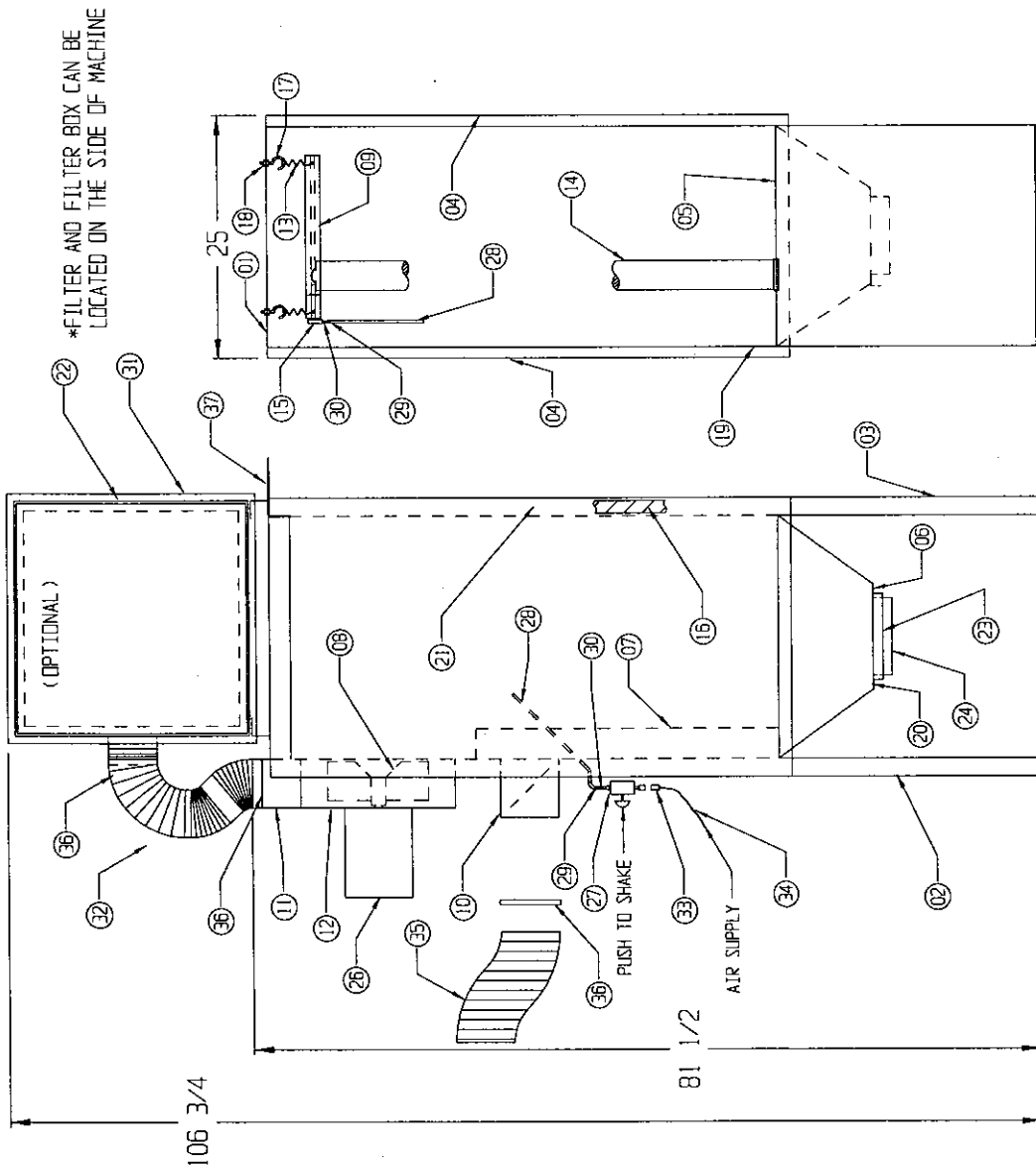


B2129



ITEM NO.	QTY.	DESCRIPTION	DWG. NO./ MATERIAL
38	1	CUT SHEET	A2502
37	1	HEPA BOX EXTENSION SUPPORT	A2538
36	4	SCREW CLAMP (6")	21-036
35	5'	FLEX HOSE (6")	19-096
34	6'	1/4" PLASTIC HOSE	18-111
33	1	MALE CONNECTOR	000718
32	3'	FLEX HOSE (6")	19-096
31	1	HEPA BOX (OPTIONAL)	A35025
30	2	1/8" x 1/4" HOSE BARB	14-316
29	2	1/4" SCREW CLAMPS	000496
28	3'	1/4" AIR HOSE	18-074
27	1	SHAKER VALVE 1/8"	16-830
26	1	MOTOR 1HP-110V 56C	13-700
25	1	OUTLET FLANGE 8" DIA.	000725
24	1	SLIDE GATE	000324
22	1	HEPA FILTER	005588
21	6	1/4" WING NUT	000305
20	80	1/4" x 3/4" LG. ROLLIX	000301
19	12	1/4" x 1" LG. ROLLIX	000377
18	8	3/16" HEX NUT	000378
17	4	3/16" EYE BOLT	000379
16	50'	1/2" x 1" GASKET	24-054
15	1	SHAKER	16-919
14	25	DUST BAG	11-349
13	4	SPRING	000347
12	1	BLOWER/MOTOR PLATE	11-720
11	1	BLOWER HOUSING ASS'Y.	11-716
10	1	INLET DAMPER ASS'Y. (6" DIA.)	000723
09	1	DUST BAG MOUNT ASS'Y.	A2501
08	1	BLADE ASS'Y.	11-718
07	1	D-10 PLENUM ASS'Y.	000335
06	1	SPACER	000329
05	1	SUMP ASS'Y.	A2500
04	2	DOOR PANEL	A2486
03	1	RIGHT SIDE PANEL	A2465-1
02	1	LEFT SIDE PANEL	A2484-1
01	1	TOP PLATE	A2467-1

LARRY HESS & ASSOCIATES, INC.
 SALISBURY, NORTH CAROLINA

DESCRIPTION: (700 C.F.M.) MATERIAL:
 0-10 DUST COLLECTOR ASS'Y. PER DWG.

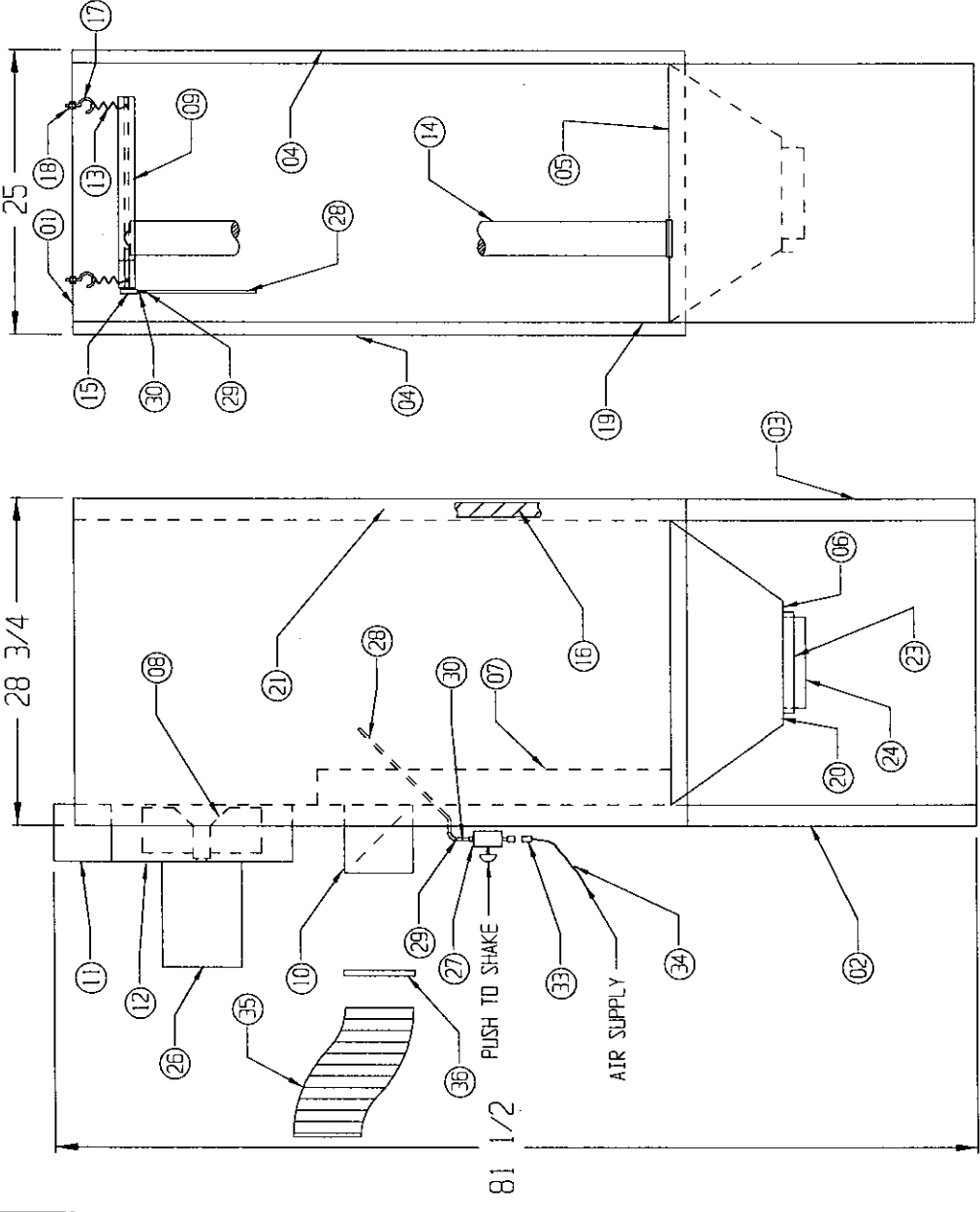
DATE: 02/10/95
 DRAWING NO.: B2129

CONFIDENTIAL

THE DISCLOSURES AND CONTENTS OF THIS DRAWING ARE CONFIDENTIAL AND ARE THE EXCLUSIVE PROPERTY OF BLAST-IT-ALL (P) A DIV. OF LARRY HESS & ASSOCIATES, INC. THIS DRAWING IS NOT TO BE COPIED OR REPRODUCED WHOLLY OR IN PART WITHOUT WRITTEN PERMISSION OF LARRY HESS & ASSOCIATES, INC.

REV.	DESCRIPTION	BY	DATE

B2129



38			
37			
36	2	SCREW CLAMP	21-036
35	5'	FLEX HOSE (6")	19-066
34	6'	1/4" PLASTIC HOSE	18-111
33	1	MALE CONNECTOR	16-951
32			
31			
30	2	1/8" x 1/4" HOSE BARB	14-316
29	2	1/4" SCREW CLAMPS	000496
28	3'	1/4" AIR HOSE	18-074
27	1	SHAKER VALVE 1/8"	16-830
26	1	MOTOR 1HP-110V 56C	13-700
25			
24	1	OUTLET FLANGE 8" DIA.	000725
23	1	SLIDE GATE	000324
22			
21	6	1/4" WING NUT	000305
20	80	1/4" x 3/4" LG. ROLLX	000301
19	12	1/4" x 1" LG. ROLLX	000377
18	8	3/16" HEX NUT	000378
17	4	3/16" EYE BOLT	000379
16	50'	1/2" x 1" GASKET	24-054
15	1	SHAKER	16-919
14	25	DUST BAG	11-349
13	4	SPRING	15-721
12	1	BLOWER/MOTOR PLATE	11-720
11	1	BLOWER HOUSING ASS'Y.	11-716
10	1	INLET DAMPER ASS'Y. (6" DIA.)	000723
09	1	DUST BAG MOUNT ASS'Y.	A2501
08	1	BLADE ASS'Y.	11-718
07	1	D-10 PLENUM ASS'Y.	000335
06	1	SPACER	000329
05	1	SUMP ASS'Y.	A2500
04	2	DOOR PANEL	A2466
03	1	RIGHT SIDE PANEL	A2465-1
02	1	LEFT SIDE PANEL	A2464-1
01	1	TOP PLATE	A2487-1
ITEM NO.	QTY.	DESCRIPTION	ENG. NO. / MATERIAL

LARRY HESS & ASSOCIATES, INC.
SALISBURY, NORTH CAROLINA

DESCRIPTION: 700 CFM D-10 DUST COLLECTOR ASS'Y. MATERIAL: PER DWG.

DATE: 10/10/85 DRAWING NO.: B2129

B2131

38				
37	2	SCREW CLAMP (8")		21-036
36	8'	FLEX HOSE (8")		19-096
35	6'	1/4" PLASTIC HOSE		18-111
34	1	MALE CONNECTOR		000718
33	1	FLEX HOSE (7")		19-087
32	1	HEPA BOX (OPTIONAL)		A35025
31	2	1/8" x 1/4" HOSE BARB		14-316
30	2	1/4" SCREW CLAMPS		000496
29	3	1/4" AIR HOSE		18-074
28	1	SHAKER VALVE 1/8"		16-830
27	1	MOTOR 2HP-220/440V 3PH		13-900
26	2	SCREW CLAMP (7")		21-037
25	1	OUTLET FLANGE 8" DIA.		000725
24	1	SLIDE GATE		000324
23	1	HEPA FILTER		006568
22	6	1/4" WING NUT		000305
21	80	1/4" x 3/4" LG. ROLLX		000301
20	12	1/4" x 1" LG. ROLLX		000377
19	12	3/16" HEX NUT		000378
18	6	3/16" EYE BOLT		000379
17	50'	1/4" x 1" GASKET		000307
16	1	SHAKER		16-919
15	49	DUST BAG		11-349
14	6	SPRING		000347
13	1	BLOWER/MOTOR PLATE		11-920
12	1	BLOWER HOUSING ASS'Y.		11-916
11	1	INLET DAMPER ASS'Y. (8" DIA.)		001046
10	1	DUST BAG MOUNT ASS'Y.		A2507
09	1	BLADE ASS'Y.		11-718
08	1	D-20 PLENUM ASS'Y.		001051
07	1	SPACER		000329
06	1	SUMP ASS'Y.		A2506
05	2	DOOR PANEL		A2492
04	1	RIGHT SIDE PANEL		A2495
03	1	LEFT SIDE PANEL		A2496
02	1	TOP PLATE		A2494
01	1	DESCRIPTION		DWG. NO. / MATERIAL

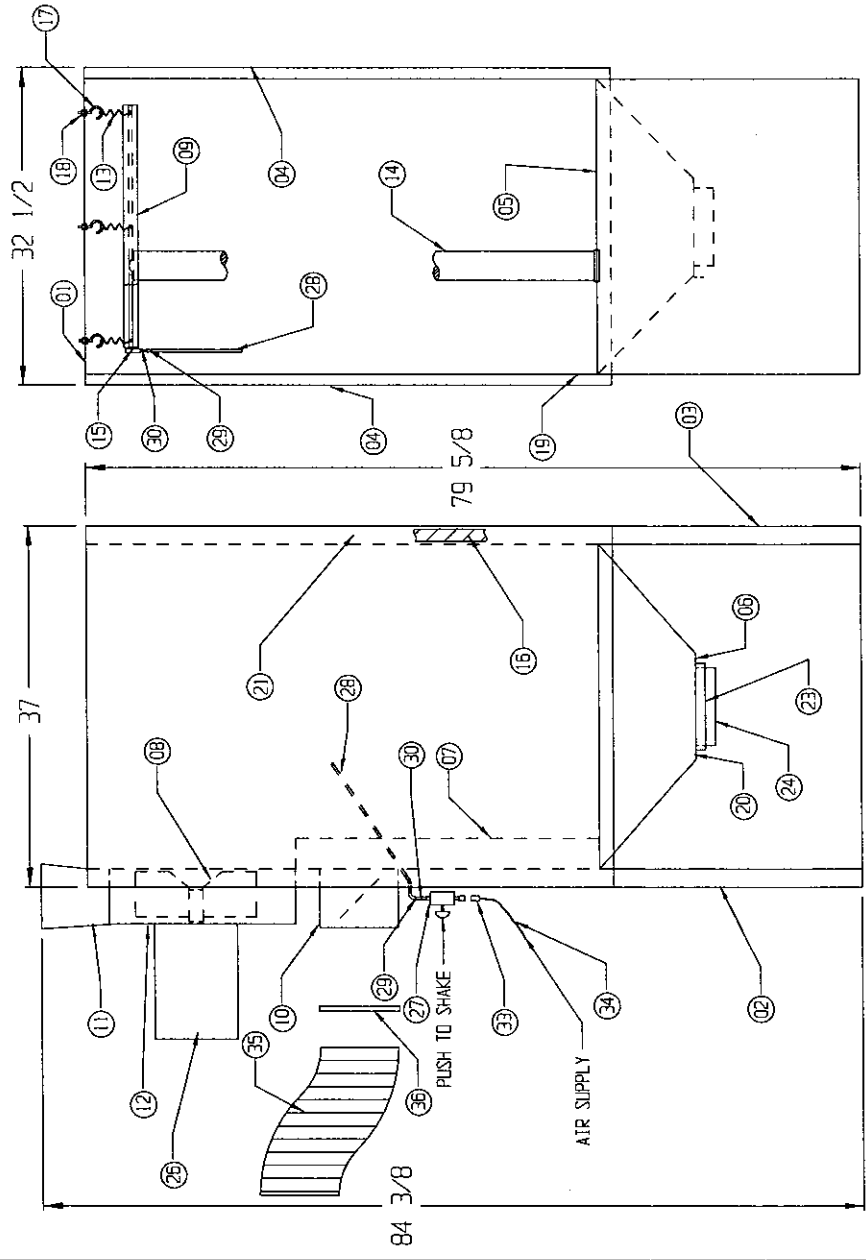
DESCRIPTION: D-20 DUST COLLECTOR ASS'Y. MATERIAL: PER DWG.

DATE: 10/23/85 DRAWING NO.: B2131

BY: 5665-JL

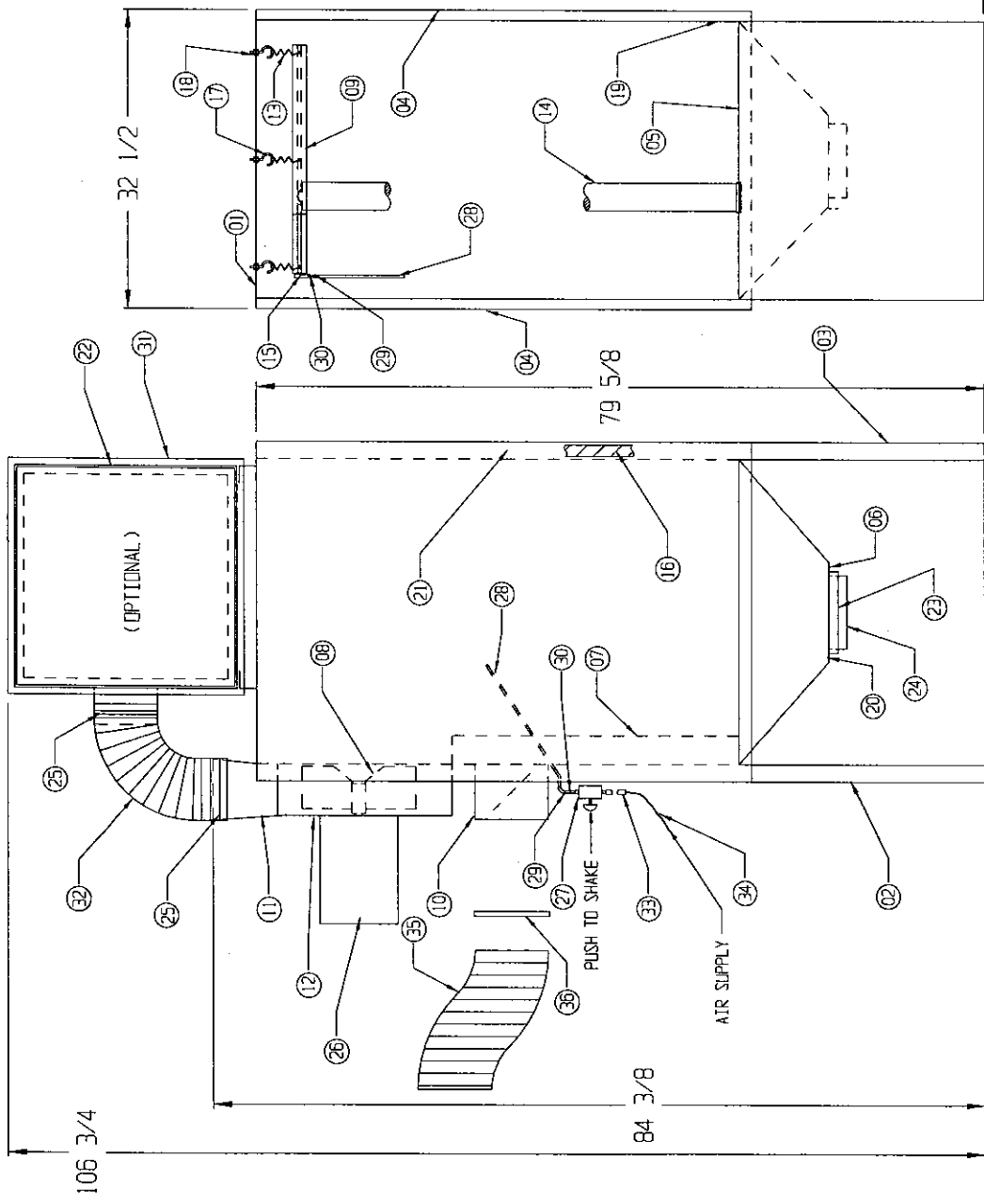
CHK: 10/17/85

SCALE: 1" = 1'-0"



LARRY HESS & ASSOCIATES, INC.
SALTSBURY, NORTH CAROLINA

B2131-1



38	CUT SHEET	A2508
37	SCREW CLAMP (8")	21-038
36	FLEX HOSE (8")	19-098
35	1/4" PLASTIC HOSE	16-111
34	MALE CONNECTOR	000718
33	FLEX HOSE (7")	19-097
32	HEPA BOX (OPTIONAL)	A35025
31	1/8" x 1/4" HOSE BARB	14-316
30	1/4" SCREW CLAMPS	000496
29	1/4" AIR HOSE	18-074
28	SHAKER VALVE 1/8"	15-830
27	MOTOR 2HP-220/440V 3PH	13-900
26	SCREW CLAMP (7")	21-037
25	OUTLET FLANGE 8" DIA.	000725
24	SLIDE GATE	000324
23	HEPA FILTER	006568
22	1/4" WING NUT	000305
21	1/4" x 3/4" LG. ROLLK	000301
20	1/4" x 1" LG. ROLLK	000377
19	3/16" HEX NUT	000378
18	3/16" EYE BOLT	000379
17	1/4" x 1" GASKET	000307
16	SHAKER	15-919
15	DUST BAG	11-349
14	DUST BAG	000347
13	SPRING	11-920
12	BLOWER/MOTOR PLATE	11-916
11	BLOWER HOUSING ASS'Y.	001046
10	INLET DAMPER ASS'Y. (8" DIA.)	11-718
09	DUST BAG MOUNT ASS'Y.	001051
08	BLADE ASS'Y.	000329
07	D-20 PLENUM ASS'Y.	A2506
06	SPACER	A2492
05	SUMP ASS'Y.	A2495
04	DOOR PANEL	A2496
03	RIGHT SIDE PANEL	A2494
02	LEFT SIDE PANEL	
01	TOP PLATE	

ITEM NO. QTY. DESCRIPTION

DWG. NO. / MATERIAL

LARRY HESS & ASSOCIATES, INC.
SALISBURY, NORTH CAROLINA

DESCRIPTION: D-20 DUST COLLECTOR ASS'Y.

MATERIAL: PER DWG.

DATE: 02/23/95
BY: JEE
REV: 07/17/95

SCALE: 1" = 1'-0"
DATE: 07/17/95

DRAWING NO.: B2131-1

CONFIDENTIAL

THE DISCLOSURES AND CONTENTS OF THIS DRAWING ARE CONFIDENTIAL AND ARE THE EXCLUSIVE PROPERTY OF LARRY HESS & ASSOCIATES, INC. NO PART SHALL BE REPRODUCED OR TRANSMITTED IN ANY FORM OR BY ANY MEANS, ELECTRONIC OR MECHANICAL, INCLUDING PHOTOCOPYING, RECORDING, OR BY ANY INFORMATION STORAGE AND RETRIEVAL SYSTEM, WITHOUT THE WRITTEN PERMISSION OF LARRY HESS & ASSOCIATES, INC.

REV.	DESCRIPTION	BY	DATE