

LARRY HESS & ASSOCIATES

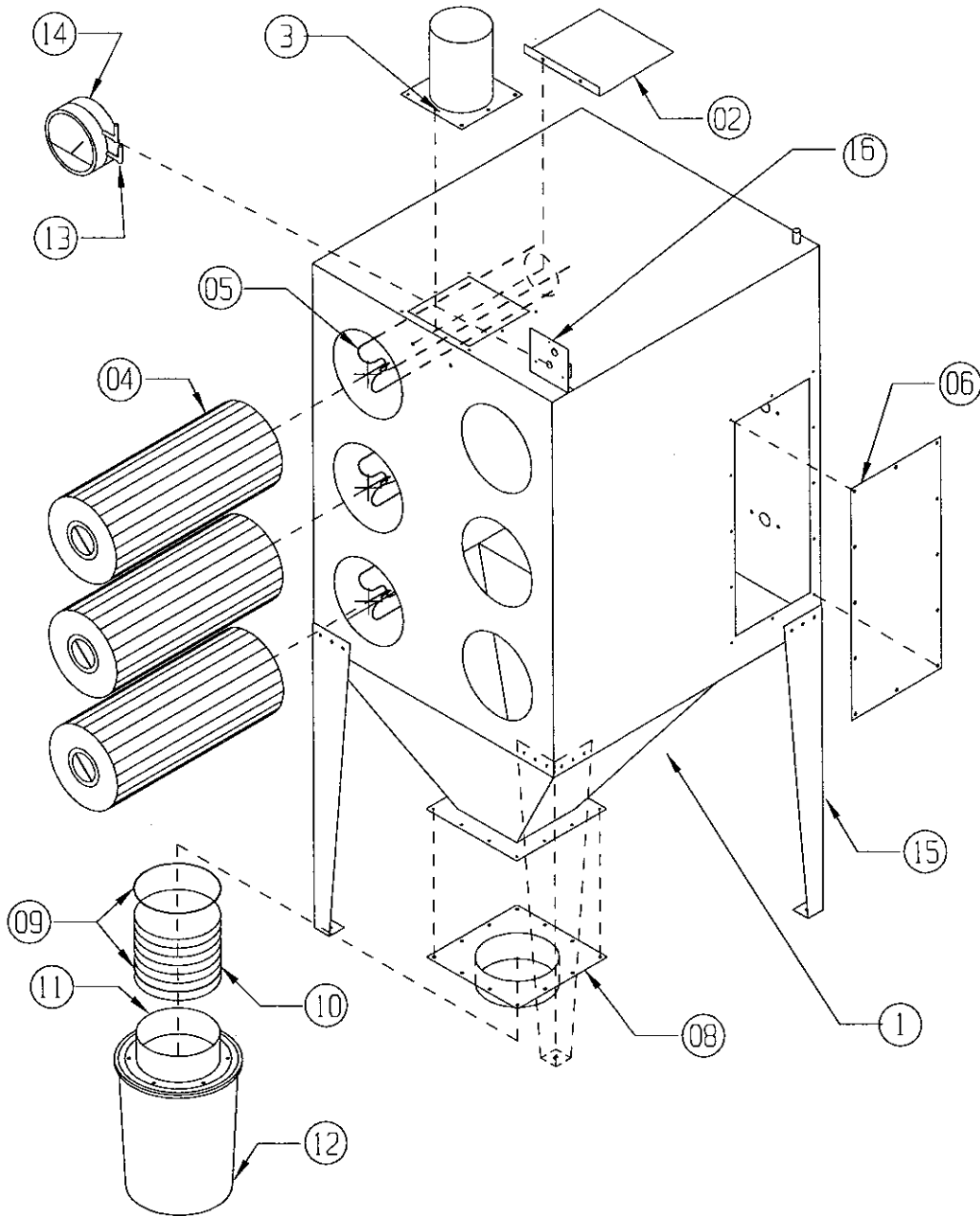
DESCRIPTION

M6 DUST COLLECTOR (1200 CFM)

DATE 01/11/10

ENGINEER DEC

DWG. NO. M2094



ITEM NO.	PART NO.	DESCRIPTION
1	B2199	DUST COLLECTOR
2	B2199-9	BAFFLE PLATE
3	001046	DAMPER INLET
4	011519	CARTRIDGE
5	011520	CARTRIDGE HOLDER
6	B2198-8A	COVER PLATE RIGHT SIDE
7		-----
8	B2198-10	WASTE OUTLET
9	21-038	CLAMP
10	19-098-12	FLEX HOSE 8" ϕ x 12" LG.
11	011351-1	PAIL COVER W/ADAPTOR
12	011350	3 GALLON PAIL
13	003084	1/8" 90° BRASS FITTING
14	004457	MAGNAHELIC GAUGE
15	A2628	LEGS (4)
16	A741	MAGNEHELIC GAGE BRACKET