

BLAST-IT-ALL®

DRY BLAST SYSTEMS

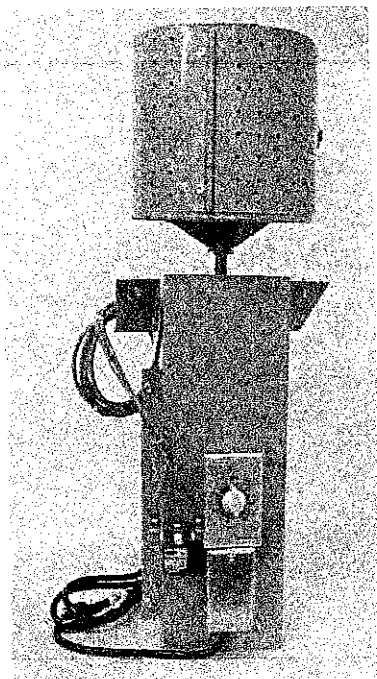
DO NOT USE *SAND*. SAND WILL CAUSE SILICA DUST, WHICH IS THE CAUSE OF SILICOSIS DISEASE, A CONDITION OF MASSIVE FIBROSIS OF THE LUNGS. ***THIS STATEMENT INDICATES POTENTIAL PERSONNEL HAZARD. FAILURE TO COMPLY WITH THESE INSTRUCTIONS MAY RESULT IN PERSONAL INJURY.***

WEBSITE FOR SILICOSIS:

http://www.osha-slc.gov/SLTC/silica_advisor/mainpage.html

**THIS MACHINE IS DESIGNED FOR THE USE
OF GLASS BEADS OR ALUMINUM OXIDE.**

2 GALLON TUMBLE BARREL



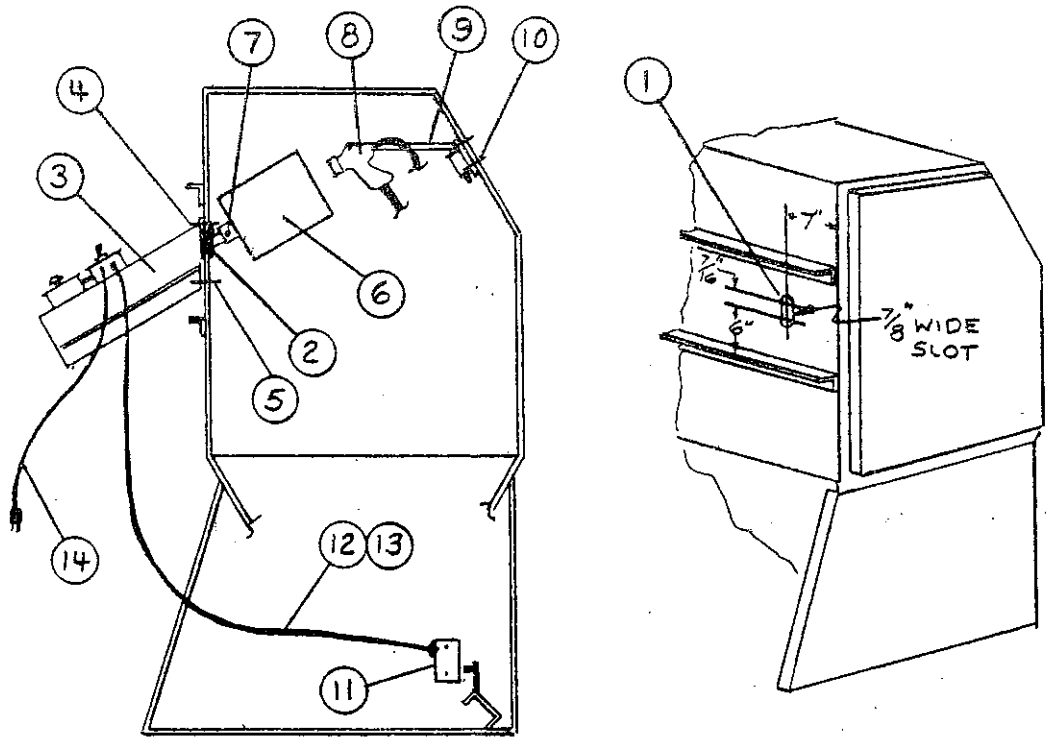
LARRY HESS & ASSOCIATES, INC
P.O. BOX 1615
SALISBURY, NC 28145-1615
TOLL 1-800-535-2612 / FAX 704-636-9311
www.blast-it-all.com OR sales@blast-it-all.com

LARRY HESS & ASSOCIATES	DESCRIPTION	2 GALLON TUMBLE BASKET ADDER KIT	DATE	10/28/97	ENGINEER	DEC	DWG. NO.	M14000-1
-------------------------	-------------	----------------------------------	------	----------	----------	-----	----------	----------

OPERATION: ELECTRIC

1. Remove barrel from shaft.
2. Load barrel to 1/3 capacity.
3. Replace barrel on shaft and pin.
4. Swing gun into blast position.
5. Close cabinet door.
6. Turn reclaimer switch ON.
7. Turn toggle switch to "on."
8. Set timer to desired cycle time.
9. When cycle ends, rotation and blast stop.
10. For continued operation, repeat steps 1 thru 8.

LARRY HESS & ASSOCIATES
 DESCRIPTION Installation- electric pedal operation
 DATE 10/28/97
 ENGINEER DEC
 Dwg. No. M14001-1



INSTALLATION INSTRUCTIONS 2 GAL. BARREL
 W/electric s.d. switches, power from blaster.

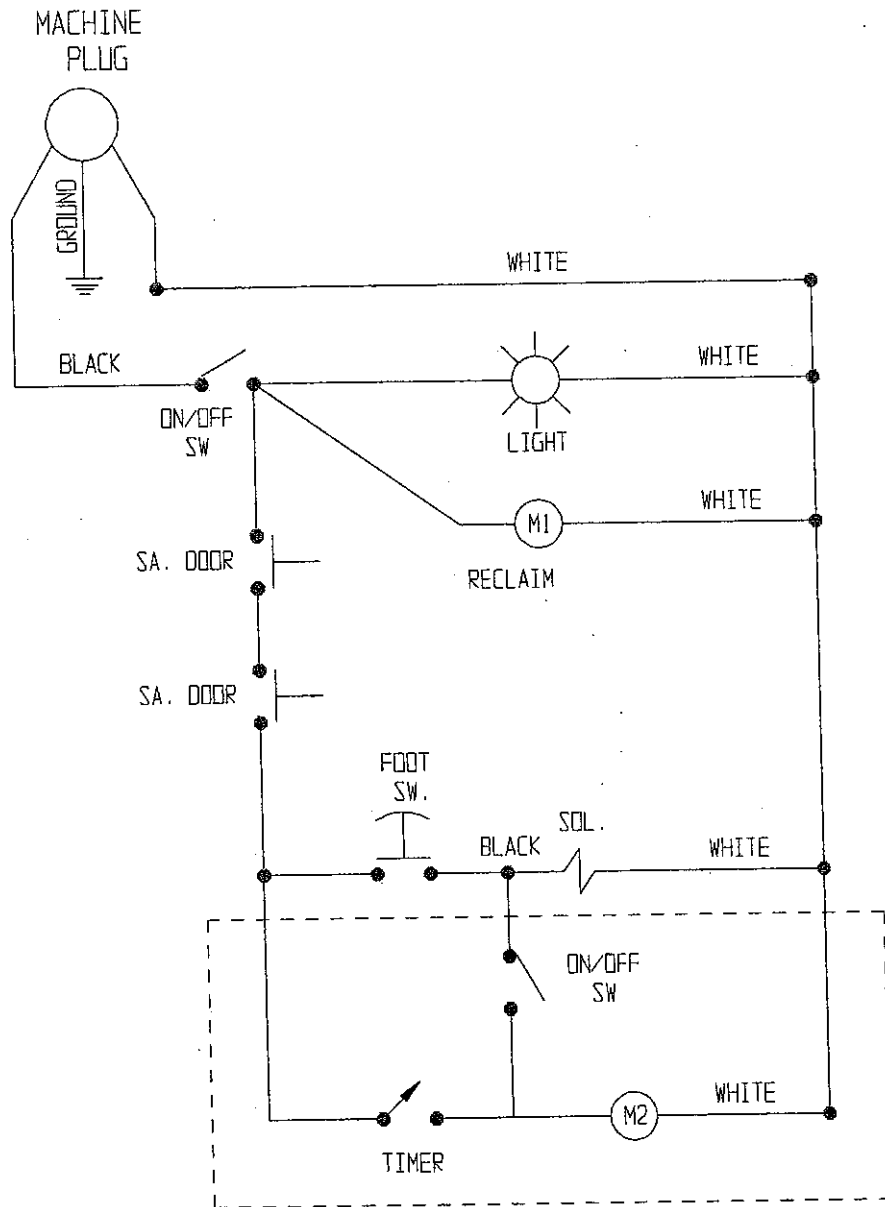
- 1 - DRILL OR PULL A 7/8" x 7/16 CENTER TO CENTER SLOT IN THE LEFT REAR OF CABINET (SEE FIG.)
- 2 - INSTALL RUBBER GROMMET IN SLOT
- 3 - INSERT SHAFT OF DRIVE ASSEMBLY AND USE AS A TEMPLATE
- 4 - MARK AND DRILL 5/16" HOLES
- 5 - SECURE DRIVE ASSEMBLY WITH 5/16" BOLTS AND NUTS PROVIDED
- 6 - INSTALL TUMBLE BARREL ON SHAFT
- 7 - ATTACH BLAST GUN TO MOUNTING ROD
- 8 - POSITION BLAST GUN SO IT WILL BLAST INTO BARRELL, DRILL AND MOUNT
- 9 - SECURE GUN MOUNT TO CABINET WITH 1/4" BOLTS PROVIDED
- 10 - DISCONNECT FROM POWER SOURCE.
- 11- ATTACH POWER CORD FOR TB UNIT AS SHOWN IN DRAWING A5131.
- 12- RE-CONNECT TO POWER TO THE MACHINE.

FIELD INSTALLED 2 GAL. TUMBLE BARREL
WIRING DIAGRAM
WITH ELECTRIC FOOT SWITCH &
SAFETY DOOR SWITCHES

DATE 10/05/99
ENGINEER DEC
DWG. NO. A5131

DESCRIPTION 2 GALLON ADD-ON TUMBLE BARREL

LARRY HESS & ASSOCIATES



ADD ON FOR TUMBLE BARREL

LARRY HESS & ASSOCIATES	DESCRIPTION	2 GALLON TUMBLE BASKET ADDER KIT	DATE	10/28/97	ENGINEER	DEC	DWG. NO.	M14000-2
-------------------------	-------------	----------------------------------	------	----------	----------	-----	----------	----------

OPERATION: PNEUMATIC

1. Remove barrel from shaft.
2. Load barrel to 1/3 capacity.
3. Replace barrel on shaft and pin.
4. Swing gun into blast position.
5. Close cabinet door.
6. Turn reclamer switch ON.
7. Set timer to desired cycle time.
8. When cycle ends, rotation and blast stop.
9. For continued operation, repeat steps 1 thru 7.

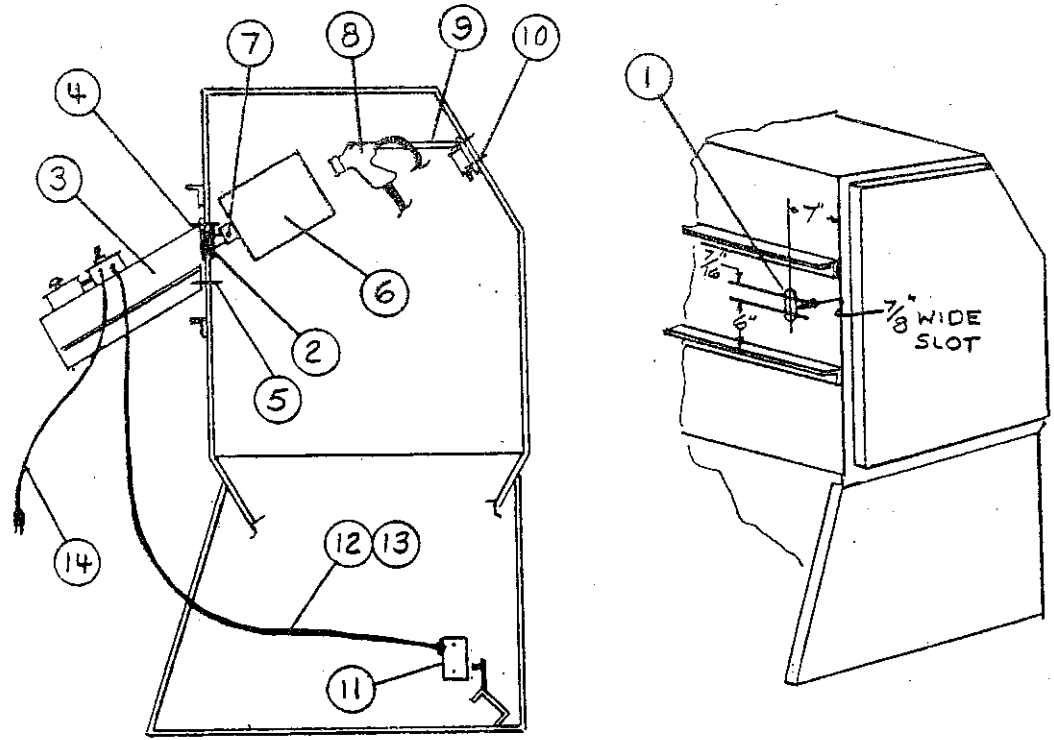
DWG. NO. M14001-2

ENGINEER DEC

DATE 10/28/97

DESCRIPTION Installation - Pneumatic pedal operation

LARRY HESS & ASSOCIATES



INSTALLATION INSTRUCTIONS 2 GAL. BARREL
 W/air s.d. switches & air foot switch

- 1 - DRILL OR PULL A 7/8" x 7/16 CENTER TO CENTER SLOT IN THE LEFT REAR OF CABINET (SEE FIG.)
- 2 - INSTALL RUBBER GROMMET IN SLOT
- 3 - INSERT SHAFT OF DRIVE ASSEMBLY AND USE AS A TEMPLATE
- 4 - MARK AND DRILL 5/16" HOLES
- 5 - SECURE DRIVE ASSEMBLY WITH 5/16" BOLTS AND NUTS PROVIDED
- 6 - INSTALL TUMBLE BARREL ON SHAFT
- 7 - ATTACH BLAST GUN TO MOUNTING ROD
- 8 - POSITION BLAST GUN SO IT WILL BLAST INTO BARRELL, DRILL AND MOUNT
- 9 - SECURE GUN MOUNT TO CABINET WITH 1/4" BOLTS PROVIDED
- 10 - INSTALL TEE BETWEEN 2ND SAFETY DOOR SWITCH AND FOOT PEDAL.
(DWG. M7042 #23)
- 11- CONNECT PLASTIC AIR LINE FROM TEE INSTALLED IN STEP 10 TO SOLENOID ON TB UNIT AS IN DWG. M7042 #21 PORT # 1
- 12- REMOVE AIR LINE& FITTING FROM REGULATOR.
(DWG. M7042 # 18.)
- 13- INSTALL SHUTTLE VALVE (DWG. M7042 #22) PORT # C TO REGULATOR.
- 14- INSTALL FITTING & LINE REMOVED IN STEP 12 TO PORT #A ON ITEM 22.
- 15- INSTALL AIR LINE FROM ITEM 21 PORT #2 TO ITEM # 22 PORT # B.
- 16- PLUG CORD INTO 120V 1 PH 60 HZ SOURCE.

DRG. NO. M7042

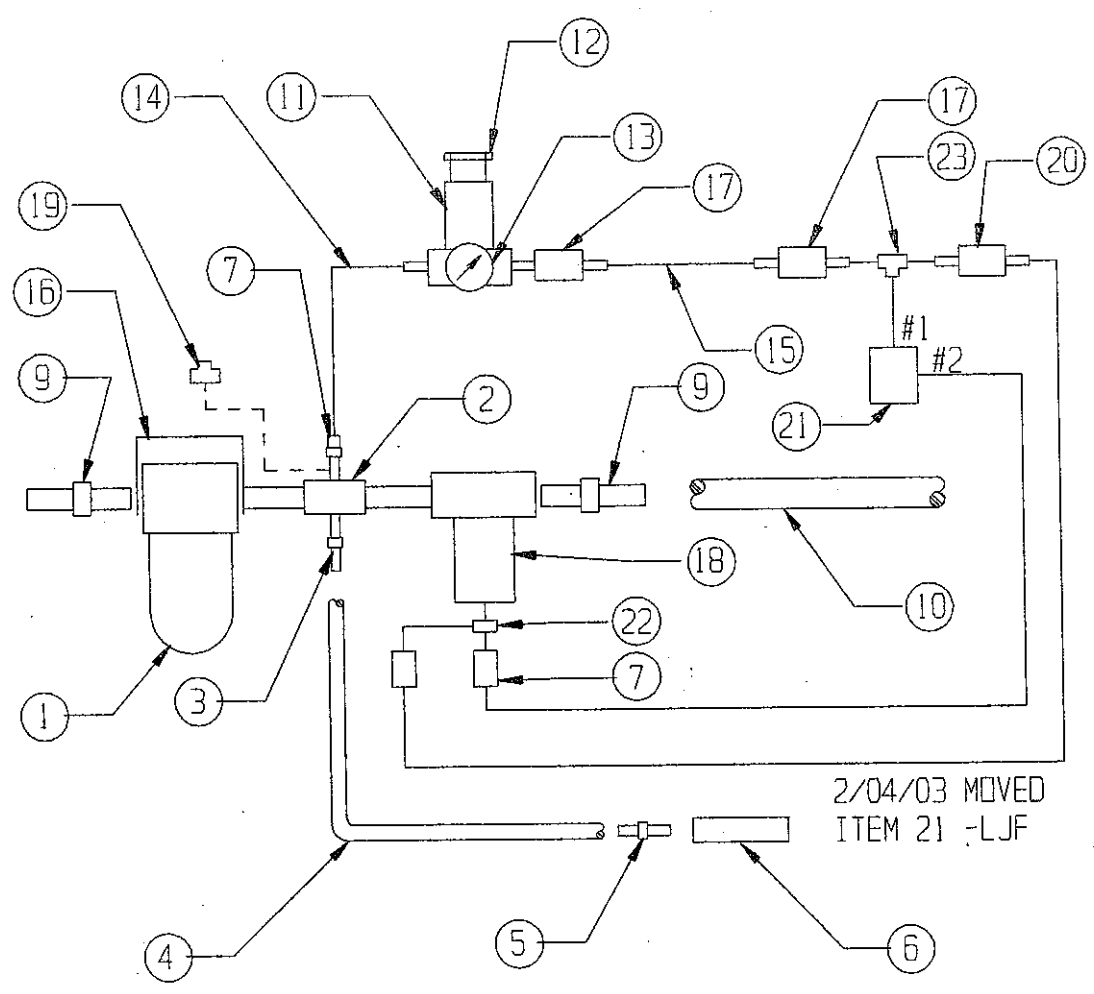
ENGINEER DEC

DATE 4/21/97

STANDARD AIR CONTROL

DESCRIPTION

LARRY HESS & ASSOCIATES

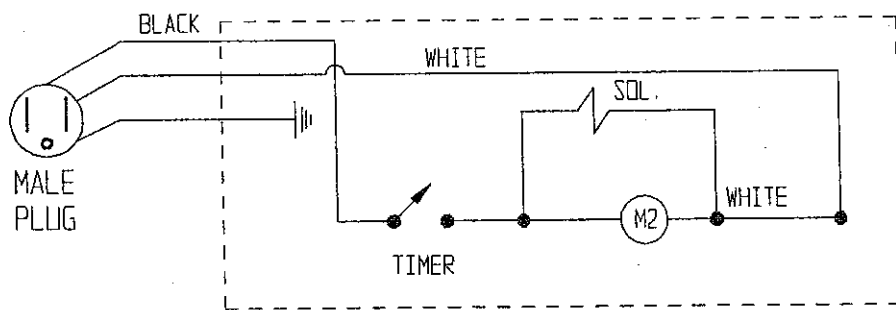
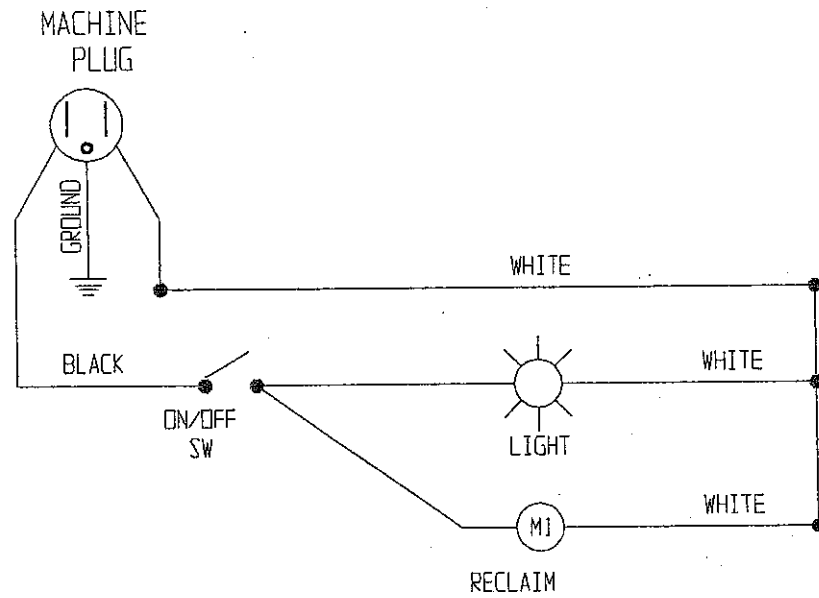


2/04/03 MOVED
ITEM 21 -LJF

ITEM NO.	PART NO.	QTY.	DESCRIPTION
1	16-966	1	FILTER, 1/2"
2	010603	1	FITTING 1/2" x 1/2" x 1/8" x 1/8"
3	14-316	1	FITTING 1/4" x 1/8"
4	18-074	*	HOSE, 1/4"
5	14-313	1	FITTING 1/4" x 1/4"
6	16-822	1	NOZZLE BLOW-OFF
7	006270	11	FITTING 1/8" x 1/8"
8	-----	-	-----
9	14-301	2	FITTING 1/2" x 1/2"
10	18-076	*	HOSE, AIR 1/2"
11	001564	1	REGULATOR, 1/8"
12	001564-N	1	NUT FOR REGULATOR
13	16-820	1	GAUGE, 1/8" BACK
14	010601	*	TUBING, RED
15	010602	*	TUBING, BLUE
16	A7169	1	BRACKET, AIR FILTER
17	010600	2	VALVE, AIR 1/8" 3-WAY (SAFETY DOOR)
18	010598	1	REGULATOR, 1/2"
19	-----	1	TEE, (OPTIONAL WITH DUST COLLECTOR)
20	011062	1	VALVE, AIR 1/8" 3-WAY (FOOT CONTROL)
21	13-516	1	VALVE, MAC 1/8" 3-WAY, ELECTRIC
22	010608	1	VALVE, SHUTTLE 1/8"
23	14-326	1	TEE, 1/8" BRASS

FIELD INSTALLED 2 GAL. TUMBLE BARREL
WIRING DIAGRAM
WITH AIR FOOT SWITCH & AIR
SAFETY DOOR SWITCHES

LARRY HESS & ASSOCIATES	DESCRIPTION	2 GALLON ADD-ON TUMBLE BARREL	DATE	10/05/99	ENGINEER	DEC	DWG. NO.	A5131-2

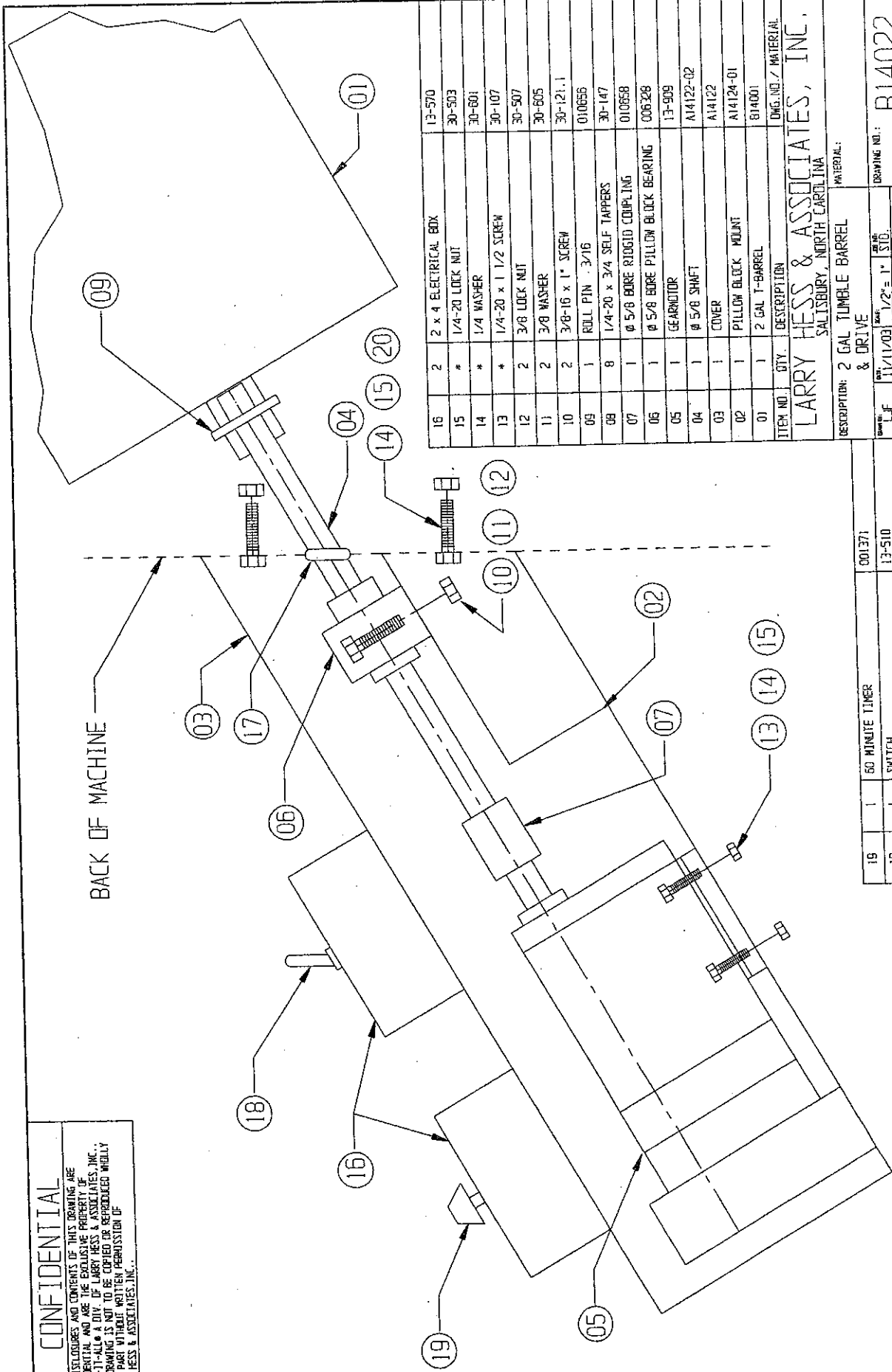


ADD ON FOR TUMBLE BARREL

CONFIDENTIAL

THE DISCLOSURES AND CONTENTS OF THIS DRAWING ARE CONFIDENTIAL AND ARE THE EXCLUSIVE PROPERTY OF BLAST-71-ALL, A DIV. OF LARRY HESS & ASSOCIATES, INC.; THIS DRAWING IS NOT TO BE COPIED OR REPRODUCED WHOLLY OR IN PART WITHOUT WRITTEN PERMISSION OF LARRY HESS & ASSOCIATES, INC.

BACK OF MACHINE



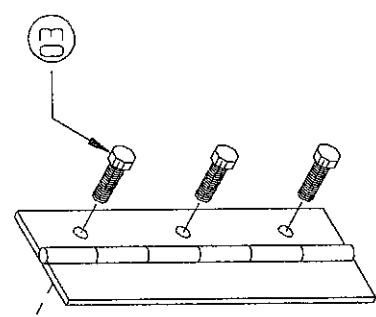
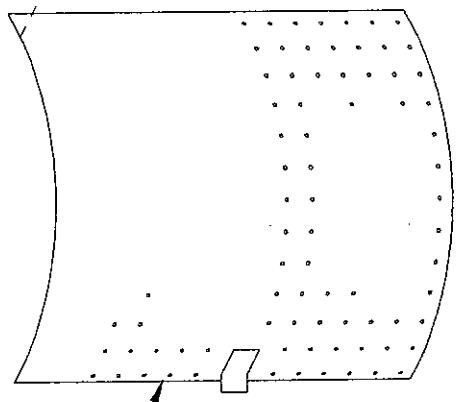
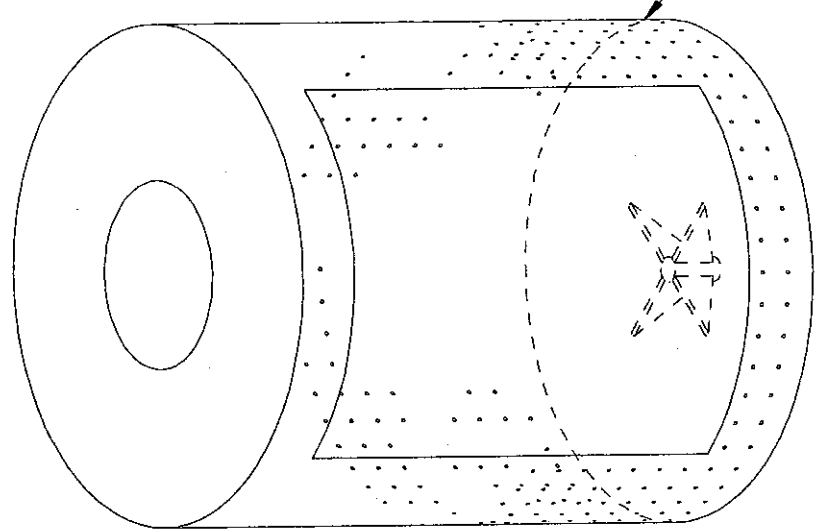
16	2	2 x 4 ELECTRICAL BOX	13-570
15	*	1/4-20 LOCK NUT	30-503
14	*	1/4 WASHER	30-601
13	*	1/4-20 x 1 1/2 SCREW	30-107
12	2	3/8 LOCK NUT	30-507
11	2	3/8 WASHER	30-605
10	2	3/8-16 x 1" SCREW	30-121.1
09	1	ROLL PIN 3/16	010656
08	8	1/4-20 x 3/4 SELF TAPPERS	30-147
07	1	Ø 5/8 BORE RIGID COUPLING	010658
06	1	Ø 5/8 BORE PILLOW BLOCK BEARING	006328
05	1	GEAR MOTOR	13-909
04	1	Ø 5/8 SHAFT	A14122-02
03	1	COVER	A14122
02	1	PILLOW BLOCK MOUNT	A14124-01
01	1	2 GAL T-BARREL	614001

ITEM NO. QTY. DESCRIPTION
 DWG. NO. / MATERIAL
LARRY HESS & ASSOCIATES, INC.
 SALISBURY, NORTH CAROLINA

DESCRIPTION: 2 GAL TUMBLE BARREL & DRIVE		MATERIAL:	
DATE: 11/11/03	SCALE: 1/2" = 1" S.D.	DRAWING NO.:	B14022
BY: J.F.	REV.:		
CHECK:	DATE:		

19	1	60 MINUTE TIMER	001371
18	1	SWITCH	13-510
17	2	GROMMET	24-050

04



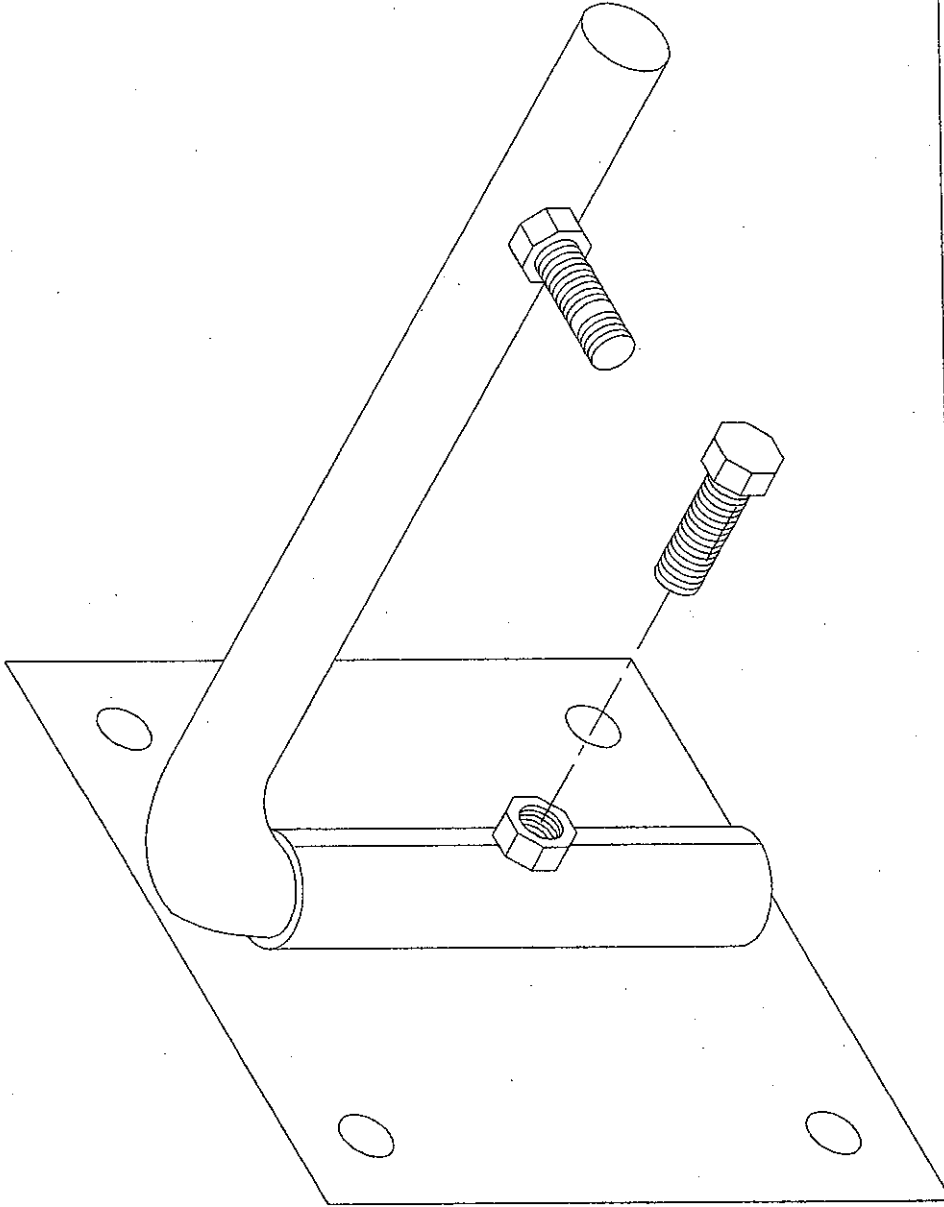
05	1	CUT SHEET	A14011
04	1	REPLACEMENT BASKET	34-101
03	1	1/4- 20 x 1/2 SELF TAPPER	30-145
02	1	DOOR	A14010
01	1	2 GAL TUMBLE BASKET	A14008
ITEM NO.	QTY.	DESCRIPTION	DMG. NO. / MATERIAL
LARRY HESS & ASSOCIATES, INC. SALISBURY, NORTH CAROLINA			MATERIAL:
DESCRIPTION: 2 GALLON T. BARREL			
DATE	TIME	SCALE	STUD.
02/07/94			B14001
DATE	TIME	SCALE	STUD.

CONFIDENTIAL

THE DISCLOSURE AND CONTENTS OF THIS DRAWING ARE CONFIDENTIAL AND ARE THE EXCLUSIVE PROPERTY OF BLAST-IT-ALL, A DIV. OF LARRY HESS & ASSOCIATES, INC. THIS DRAWING IS NOT TO BE COPIED OR REPRODUCED WHOLLY OR IN PART WITHOUT WRITTEN PERMISSION OF LARRY HESS & ASSOCIATES, INC.

REV.	DESCRIPTION	BY	DATE
1	CONVERT TO CAD	L.F.	11/11/03

A14017-M



LARRY HESS & ASSOCIATES, INC. SALISBURY, NORTH CAROLINA		MATERIAL: PER DWG.	
DESCRIPTION: GUN MOUNT 2 GALLON TUMBLE BASKET		DRAWING NO.: A14017-M	
DATE: 2-24-84	SCALE: 1/2"=1"	JOB NO. STD.	REV. ASS'Y:
DATE:	DATE:	REVISION:	DATE:
CHK'D BY:	DATE:	APPROVE:	DATE:

CONFIDENTIAL

THE DISCLOSURES AND CONTENTS OF THIS DRAWING ARE CONFIDENTIAL AND ARE THE EXCLUSIVE PROPERTY OF BLAST-IT-ALL @ A DIV. OF LARRY HESS & ASSOCIATES, INC. THIS DRAWING IS NOT TO BE COPIED OR REPRODUCED WHOLLY OR IN PART WITHOUT WRITTEN PERMISSION OF LARRY HESS & ASSOCIATES, INC.

REV.	DESCRIPTION	BY	DATE
#1	CONVERT TO CAD	LJF	1/10/07

WARRANTY

Larry Hess & Associates, Inc. Warrants to the original purchaser the merchandise sold to be free from defects in material and workmanship under normal use and service for a period of one (1) year. Upon prompt notification by the buyer, to LHA, components that are determined by LHA to be defective will be repaired or replaced at no additional charge, F.O.B. our factory.

Manufacturer shall have the right to inspect prior to replacing all merchandise in question.

This warranty does not apply to parts that are directly involved in the blasting operation. Example: gun, gun parts, viewing window, hose, gloves, etc.

Manufacturer shall not be required to pay any removal or installation charges whatsoever under this warranty.

Manufacturer shall not be liable for prospective profits, special or consequential damages, nor shall any recovery of any kind against manufacturer be greater in amount than the cost of repairs of defects in workmanship.

This warranty does not apply to damage caused by accidents, damage in transit, alterations by unauthorized personnel, abuse or damage by flood, fire, or acts of God, nor by artificially generated electric currents or any other cause whatsoever except defects in material or factory workmanship.

In all cases, defective parts must be returned to Larry Hess & Associates, Inc. before credit is issued.

If genuine BLAST-IT-ALL® replacement parts are not used, the warranty is void.

This warranty is in lieu of all other warranties expressed or implied and releases Larry Hess & Associates, Inc. of all other obligations and liabilities whatsoever. This warranty neither assumes nor authorizes any person to assume any obligation other than those specified by this warranty.

WARNING

DO NOT USE SAND. SAND WILL CAUSE SILICA DUST, WHICH IS THE CAUSE OF SILICOSIS DISEASE, A CONDITION OF MASSIVE FIBROSIS OF THE LUNGS. THIS STATEMENT INDICATES POTENTIAL PERSONNEL HAZARD. FAILURE TO COMPLY WITH THESE INSTRUCTIONS MAY RESULT IN PERSONAL INJURY.

BLAST-IT-ALL®
Larry Hess & Associates, Inc.
Airport Industrial Park
185 Piper Lane
P.O. Box 1615
Salisbury, NC 28145-1615