

# **PAINT BENCH™**

LARRY HESS AND ASSOCIATES, INC.

BLAST-IT-ALL®

P.O. BOX 1615

SALISBURY, NC 28145

**WWW.BLAST-IT-ALL.COM**

***PAINT BENCH™***

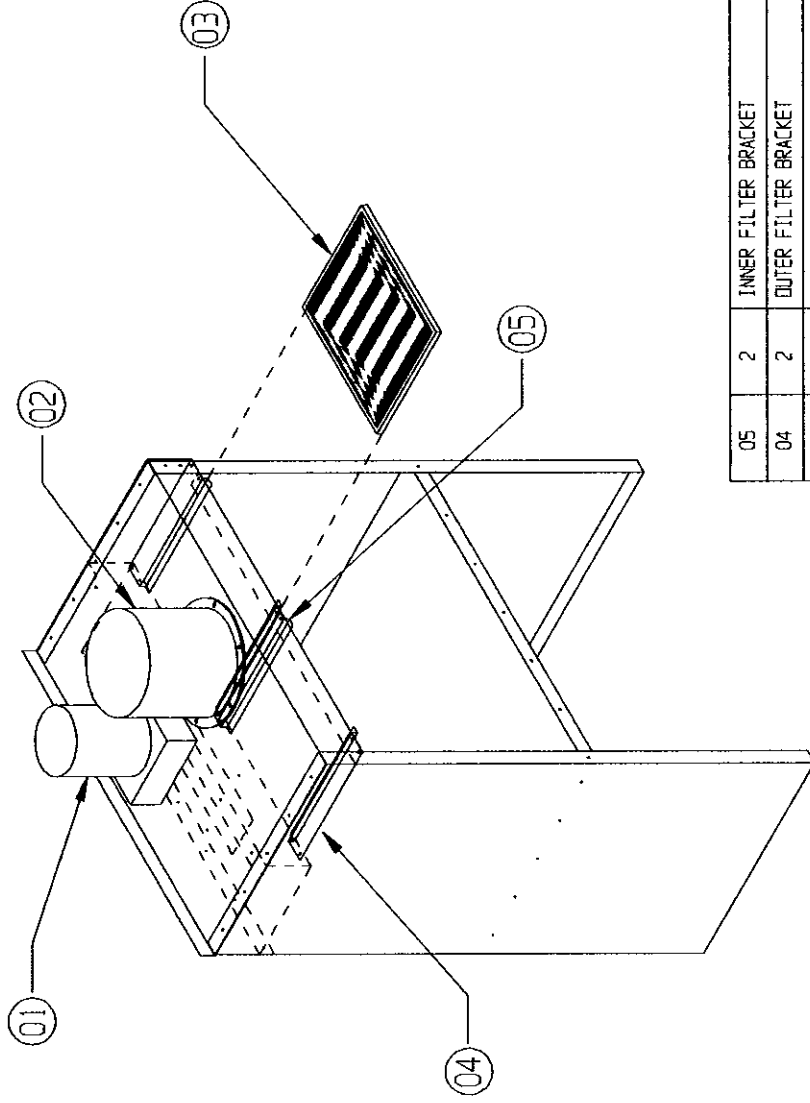
***WITH EXHAUST FAN***

**MANUAL MM 586**

## ***TABLE OF CONTENTS***

| <b><i>PAGE</i></b> | <b><i>FIGURE</i></b> |                                              |
|--------------------|----------------------|----------------------------------------------|
| <b><i>1</i></b>    | <b><i>-</i></b>      | <b><i>SET-UP INSTRUCTIONS</i></b>            |
| <b><i>1</i></b>    | <b><i>-</i></b>      | <b><i>OPERATING INSTRUCTIONS</i></b>         |
| <b><i>1</i></b>    | <b><i>-</i></b>      | <b><i>GENERAL MAINTENANCE</i></b>            |
| <b><i>2</i></b>    | <b><i>M34002</i></b> | <b><i>PART NUMBERS</i></b>                   |
| <b><i>3</i></b>    | <b><i>M158</i></b>   | <b><i>LIGHT BOX &amp; PARTS</i></b>          |
| <b><i>4</i></b>    | <b><i>-</i></b>      | <b><i>ELECTRICAL DIAGRAM (LIGHT BOX)</i></b> |
| <b><i>5</i></b>    | <b><i>-</i></b>      | <b><i>MACHINE WARRANTY</i></b>               |
| <b><i>6</i></b>    | <b><i>-</i></b>      | <b><i>WARRANTY REGISTRATION FORM</i></b>     |
|                    |                      |                                              |

M34002



|    |   |                      |                             |
|----|---|----------------------|-----------------------------|
| 05 | 2 | INNER FILTER BRACKET | A34031-02                   |
| 04 | 2 | OUTER FILTER BRACKET | A34031-01                   |
| 03 | 2 | FILTER               | 19-305-20                   |
| 02 | 1 | FAN                  | FAN & MOTOR ASSEMBLY 011840 |
| 01 | 1 | MOTOR                |                             |

ITEM NO. QTY. DESCRIPTION DWG. NO. / MATERIAL  
**LARRY HESS & ASSOCIATES, INC.**  
 SALISBURY, NORTH CAROLINA

DESCRIPTION: PAINT BOOTH PARTS MATERIAL:

DATE: 06/14/06 SCALE: 3/64"=1" JOB NO: 43417 DRAWING NO.: M34002  
 DRAWN BY: L.J.F. DATE: FRACTIONAL: DECIMAL: NEXT ASS'Y: INCHES:

**CONFIDENTIAL**  
 THE DISCLOSURES AND CONTENTS OF THIS DRAWING ARE CONFIDENTIAL AND ARE THE EXCLUSIVE PROPERTY OF BLAST-IT-ALL, A DIV. OF LARRY HESS & ASSOCIATES, INC. THIS DRAWING IS NOT TO BE COPIED OR REPRODUCED WHOLLY OR IN PART WITHOUT WRITTEN PERMISSION OF LARRY HESS & ASSOCIATES, INC.

| REV. | DESCRIPTION | BY | DATE |
|------|-------------|----|------|
|      |             |    |      |
|      |             |    |      |

## PAINT BENCH™

### SET-UP INSTRUCTIONS

1. Remove all shipping protection. Check for any concealed shipping damage, if discovered, report to damage to your freight carrier immediately.
2. PAINT BENCH should be placed in a desired location, away from any water or wet environment.
3. Connect ducting to the outside of your building, as per local code.
4. Connect fan as per local electrical code. Make sure rotation is correct.
5. Plug electrical cord from light box into 120 volt wall receptacle.

### OPERATING INSTRUCTIONS

1. Place parts to be processed inside enclosed area
2. Make sure filters are in place
3. Activate fan

### MAINTENANCE INSTRUCTIONS

1. **Poor Visibility - Excessive Dust:** Change filters
2. **To Replace Filters:**

Remove old filters and dispose of as per local code.  
Slide new filters into place.

---

LARRY HESS & ASSOCIATES

DESCRIPTION

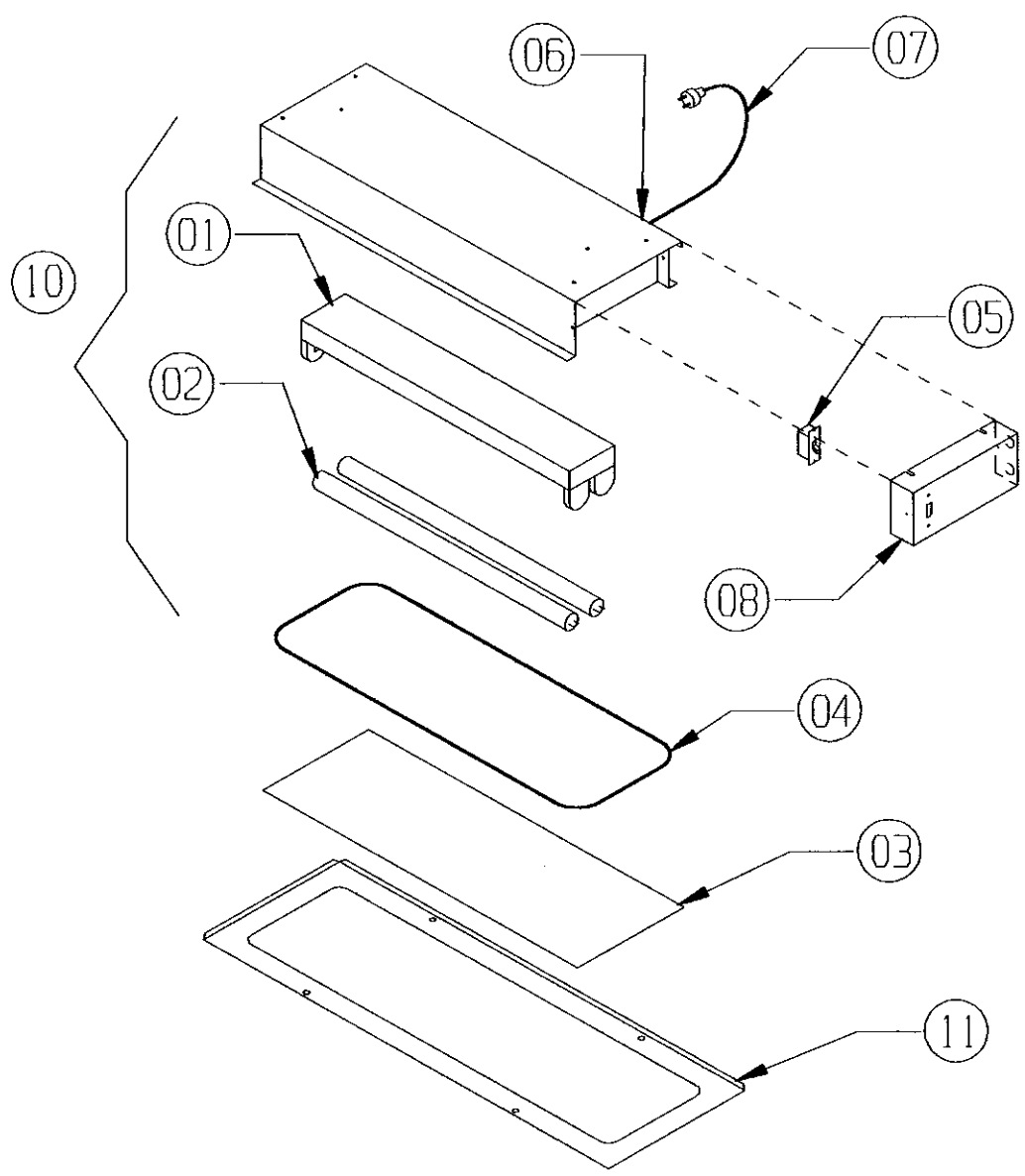
PAINT BENCH LIGHT BOX

DATE 6/14/06

ENGINEER LJF

DWG. NO.

M158



| ITEM NO. | PART NO. | DESCRIPTION                            |
|----------|----------|----------------------------------------|
| 1        | 13-533   | FLUORESCENT FIXTURE, (NO TUBES)        |
| 2        | 13-534   | 24" FLUORESCENT TUBE                   |
| 3        | 23-058   | PROTECTOR, LIGHT                       |
| 4        | 24-054   | GASKET, 1/2 x 1 x 60"                  |
| 5        | 13-655   | SWITCH                                 |
| 6        | 13-605   | ROUND CONNECTOR                        |
| 7        | 13-550   | POWER CORD, 3 WIRE                     |
| 8        | B198-2   | SWITCH MOUNTING PLATE                  |
| 9        |          |                                        |
| 10       | 010801   | COMPLETE LIGHT BOX (EXCEPT 3 & 4 & 11) |
| 11       | A506     | LIGHT BOX WINDOW FRAME                 |

120 VOLT 1 HASE

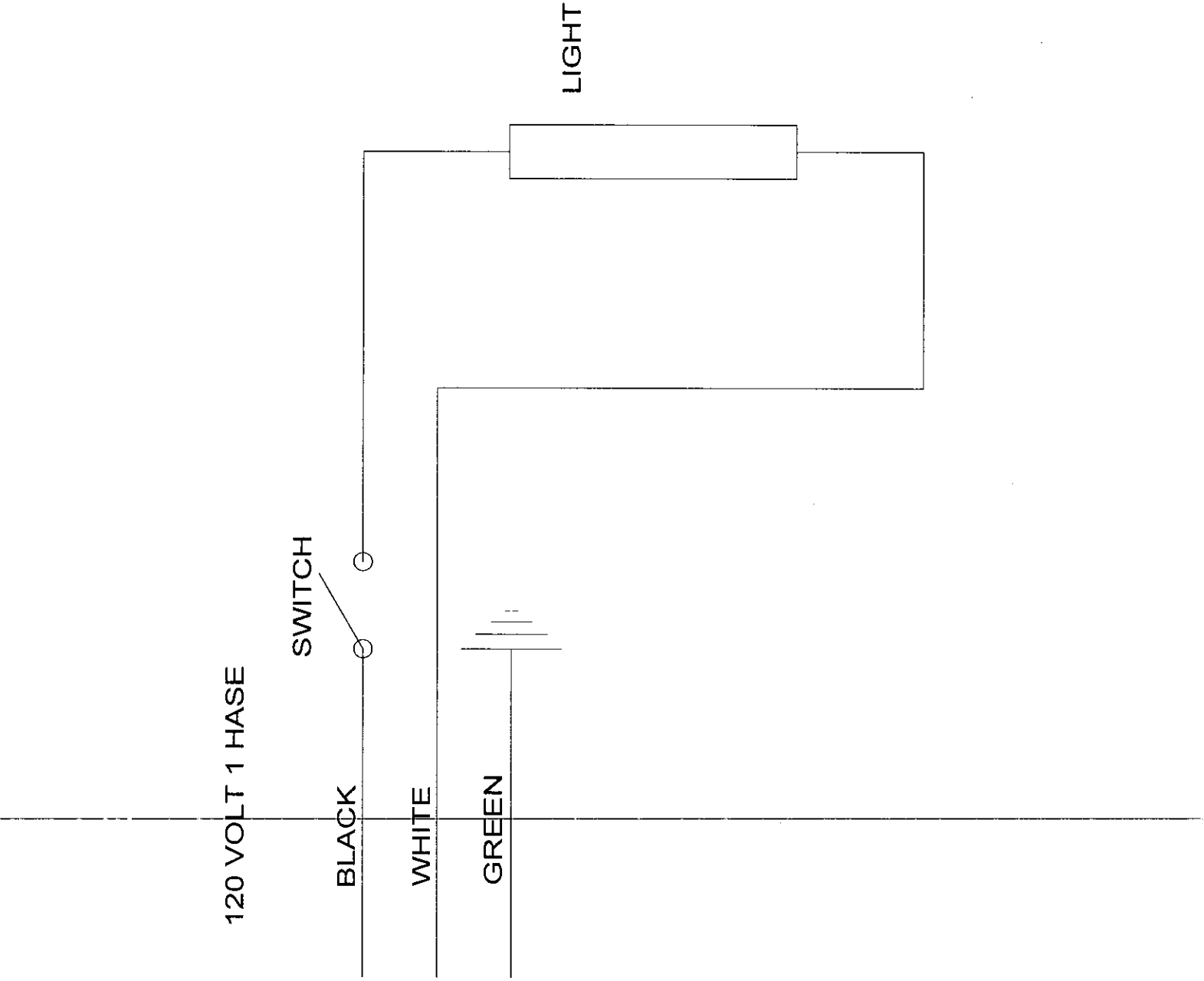
BLACK

WHITE

GREEN

SWITCH

LIGHT



## WARRANTY

Larry Hess & Associates, Inc. Warrants to the original purchaser the merchandise sold to be free from defects in material and workmanship under normal use and service for a period of one (1) year. Upon prompt notification by the buyer, to LHA, components that are determined by LHA to be defective will be repaired or replaced at no additional charge, F.O.B. our factory.

Manufacturer shall have the right to inspect prior to replacing all merchandise in question.

This warranty does not apply to parts that are directly involved in the blasting operation. Example: gun, gun parts, viewing window, hose, gloves, etc.

Manufacturer shall not be required to pay any removal or installation charges whatsoever under this warranty.

Manufacturer shall not be liable for prospective profits, special or consequential damages, nor shall any recovery of any kind against manufacturer be greater in amount than the cost of repairs of defects in workmanship.

This warranty does not apply to damage caused by accidents, damage in transit, alterations by unauthorized personnel, abuse or damage by flood, fire, or acts of God, nor by artificially generated electric currents or any other cause whatsoever except defects in material or factory workmanship.

In all cases, defective parts must be returned to Larry Hess & Associates, Inc. before credit is issued.

If genuine BLAST-IT-ALL® replacement parts are not used, the warranty is void.

This warranty is in lieu of all other warranties expressed or implied and releases Larry Hess & Associates, Inc. of all other obligations and liabilities whatsoever. This warranty neither assumes nor authorizes any person to assume any obligation other than those specified by this warranty.

## WARNING

**DO NOT USE SAND. SAND WILL CAUSE SILICA DUST, WHICH IS THE CAUSE OF SILICOSIS DISEASE, A CONDITION OF MASSIVE FIBROSIS OF THE LUNGS. THIS STATEMENT INDICATES POTENTIAL PERSONNEL HAZARD. FAILURE TO COMPLY WITH THESE INSTRUCTIONS MAY RESULT IN PERSONAL INJURY.**

BLAST-IT-ALL®  
Larry Hess & Associates, Inc.  
Airport Industrial Park  
185 Piper Lane  
P.O. Box 1615  
Salisbury, NC 28145-1615