

**KwikFire™ 150
Pneumatic Control Handle**

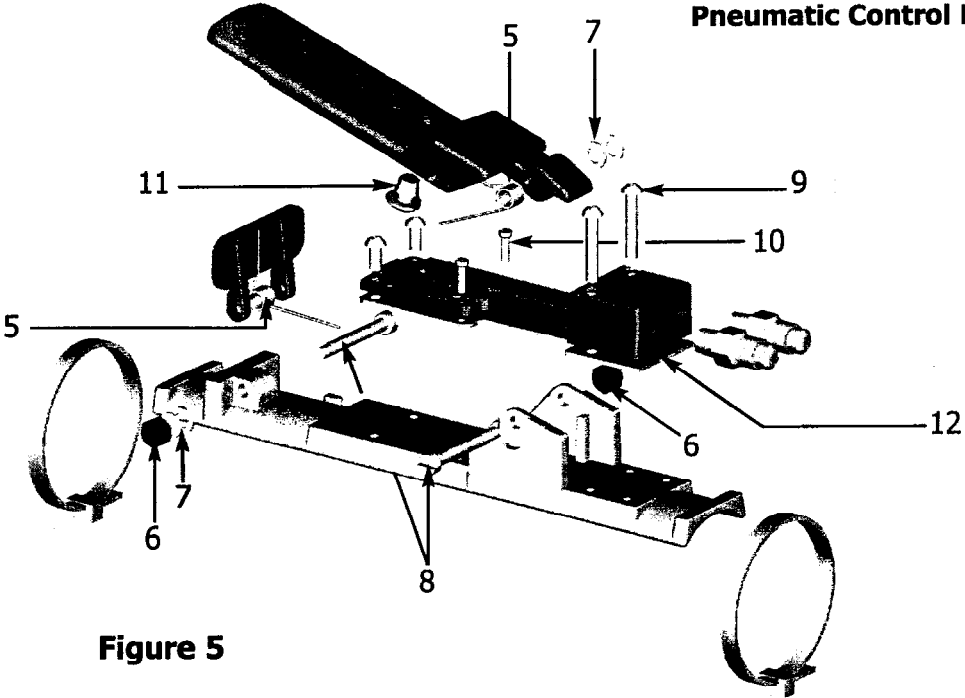


Figure 5

**KwikFire™ 151
Electric Control Handle**

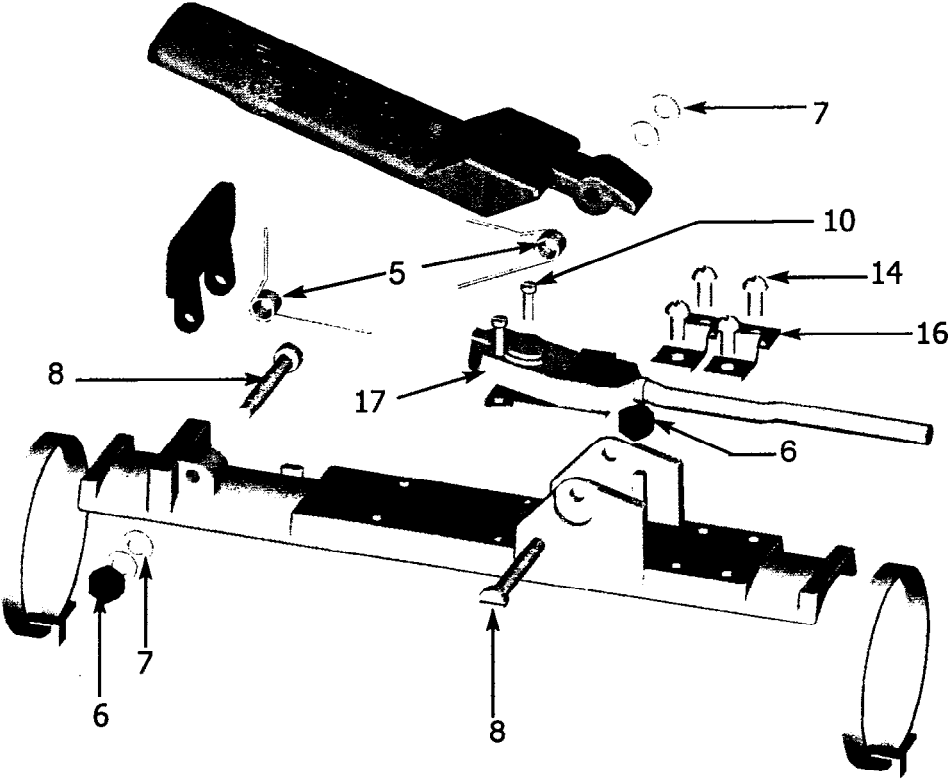


Figure 6

ID	PART #	BIA P/N #	DESCRIPTION	APPLICATION
1	1015000	16-856	KWIKFIRE PNEUMATIC CONTROL HANDLE 150	
2	1015100	16-856-E	KWIKFIRE ELECTRIC CONTROL HANDLE 151	
3	1015001	1015001	HANDLE ONLY	150 & 151
4	1015002	1015002	BODY	150 & 151
5	1015003	1015003	LEVER LOCK	150 & 151
6	1015004	1015004	ADAPTER BLOCK	150
7	1015005	1015005	SPRING (2 REQUIRED)	150 & 151
8	1015006	1015006	LOCK NUT (2 REQUIRED)	150 & 151
9	1015007	1015007	WASHER (7 REQUIRED)	150 & 151
10	1015008	1015008	SHOULDER SCREW (2 REQUIRED)	150 & 151
11	1015009	1015009	LONG ROUND HEAD SCREW (2 REQUIRED)	150
12	1015010	1015010	FILLISTER SCREW (2 REQUIRED)	150 & 151
13	1015011	1015011	RUBBER BUTTON BUMPER	150
14	1015012	1015012	ADAPTER GASKET	150
15	1012903	1012903	1/8" NPS ADAPTER (2 REQUIRED)	150
16	1015014	1015014	SHORT ROUND HD SCREW (150: 2 RQD, 151: 4 RQD)	150 & 151
17	1015015	1015015	NYLON BAND (2 REQUIRED)	150 & 151
18	1015101	1015101	CORD CLAMP (2 REQUIRED)	151
19	1015102	1015102	ELECTRIC SWITCH	151
20	1015551	1015551	MALE TWIST LOCK PLUG - 15A / 125V	151
21	1015552	1015552	FEMALE TWIST LOCK PLUG - 15A / 125V	151
22	10C02899	10C02899	MALE TWIST LOCK PLUG - 20A / 250V	151
23	10C02898	10C02898	FEMALE TWIST LOCK PLUG - 20A / 250V	151
24	10C10828	10C10828	MALE LO-PROFILE CORD CONNECTOR - 8A / 250V	151
25	10C10829	10C10829	FEMALE LO-PROFILE CORD CONNECTOR - 8A / 250V	151
26	1015540	1015540	ELECTRIC POWER CORD - 16 / 2	151
27	10TL50	10TL50	TWINLINE CONTROL HOSE - 50' SECTION	150
28	10TL100	10TL100	TWINLINE CONTROL HOSE - 100' SECTION	150
29	1091032	1091032	WARNING TAG	150 & 151
30	1090023	1090023	KWIKFIRE 150 / 151 OPERATOR'S MANUAL	150 & 151
31		16-856RK	REPAIR KIT FOR 16-856	150