



Shown With Optional Armrest



MAGNUM 4436-6

The Magnum is available in larger sizes (44" and 55" wide) than our Little Blaster series, our Magnum series blast cabinets are offered in suction or pressure models.

The Magnum incorporates many of the same features found in our Little Blaster line and are suitable for either shop or industrial applications.

The Magnum uses our more powerful 400 or 600 cfm reclaimers to insure good media is separated from dust.



BLAST-IT-ALL®
Salisbury, NC 28145
(800) 535-2612
www.blast-it-all.com
sales@blast-it-all.com



Technical Specifications

1. **Reclaim:** High performance 600-CFM Cyclone Type.
2. **Light Box:** Two (2) tube 24" Fluorescent light, ON-OFF control switch for light and reclaimer.
3. **Viewing Window:** Large 12" x 20" tempered glass. Provides long life and minimizes static build-up of dust.
4. **Mylar with Dispenser:** Mylar lens material shown with Lens dispenser.
5. **Door Cam Latch:** Adjustable door latch.
6. **Easy Change Glove:** Snap in cloth lined vinyl gloves, 7" diameter x 26" long,
7. **Air Regulator and Gauge:** Allows adjustable air pressure to gun for proper media flow to provide finish desired.
8. **Cabinet Sump Clean Out Access Door:** Allows recovery of small parts that may fall from blast cabinet.
9. **Foot Blast Control:** Left or right foot blast operation.
10. **Cabinet Doors:** Full opening double walled access doors.
11. **Motor:** 1 HP, 120 Volts, Single Phase, 11 Amp, 3450 RPM.
12. **Dust Collector:** Large Dust Bag with bottom zipper.
13. **Media Fill Door:** Add media to machine and remove debris screen basket inside reclaimer
14. **Sump Return Hose:** 4" flexible duct hose from machine sump outlet to reclaimer inlet.
15. **Media Flow Valve:** Universal feed valve allowing 2" drain plug outlet for easy clean-out.
16. **Media Hose:** 1/2" media line hose from reclaimer media valve to bottom fitting on blast gun.
17. **Compressed Air Inlet:** 1/2" coupler for easy installation of optional moisture trap.
18. **Safety Door Interlocks:** Cabinet wired with safety door interlocks to prevent accidental blasting with door open.

Media Blast Gun

Lightweight aluminum pistol grip for long life. Interchangeable air jets and nozzles for various air supplies and media flow. 5/32" air jet supplied as standard. Other air jets and nozzles supplied upon request.

Cabinet Fabrication

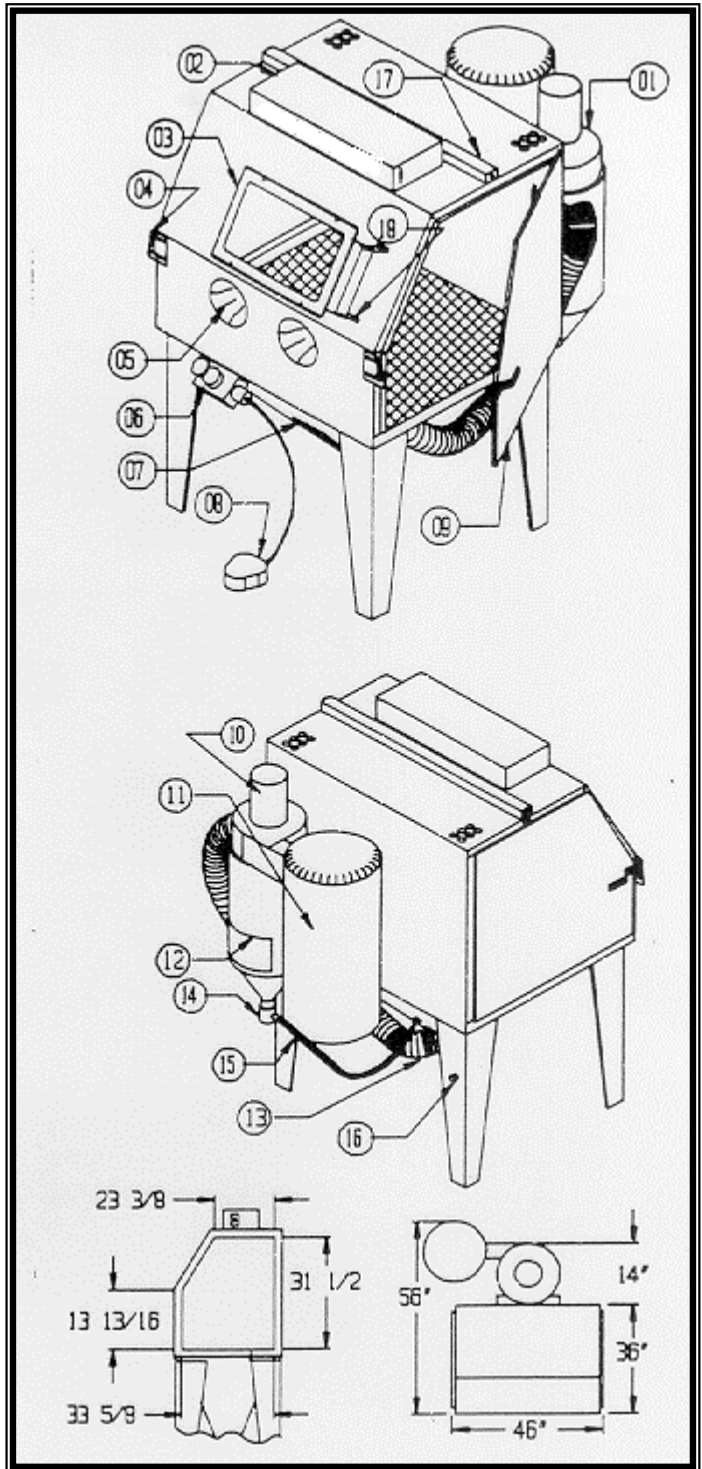
Heavy 14 and 11 gauge welded steel construction. Two coats of industrial quality paint.

Packing and Shipping

Machine and Reclaimer secured on wood pallet for shipping

Media Gun Compressed Air Requirements

(CFM*)	Orifice / Nozzle	40 PSI	60 PSI	80 PSI
1/4" Nozzle - 1/8" Air Jet	#4	12*	17*	21*
5/16" Nozzle - 5/32" Air Jet	#5	19*	27*	34*
3/8" Nozzle - 3/16" Air Jet	#6	27*	37*	47*



	DISTRIBUTOR	