



LB4024

DESCRIPTION:

**4024 LITTLE-BLASTER™
SERIES SUCTION
BLAST CABINET 40" x 24"
ALUMINUM PISTOL GRIP MEDIA BLAST
GUN WITH 100 CFM DUST COLLECTOR**



The LITTLE-BLASTER equipment was designed for the hobbyist or very light production use. The LITTLE-BLASTER is constructed from heavy gauge metal, which is continuously welded.

Also incorporated into the line are several products from the BLAST-IT-ALL® production blasting equipment, proven reliability such as the blast gun. The LITTLE-BLASTER is also designed for a small company to start blasting with only a dust collector; then, without a lot of expense enables that user to convert to a reclamation system with the LITTLE-BLASTER Reclaimer Kit.

While, the LITTLE-BLASTER is limited to specifically smaller sizes than production type equipment, but it is considered the highest caliber blaster manufactured today.



BLAST-IT-ALL®
Salisbury, NC 28145
(800) 535-2612
www.blast-it-all.com
sales@blast-it-all.com



Includes:

Dust Collector: 100 CFM cartridge type collector for better dust control providing cleaner working chamber.

Light Box: Two (2) tube 24: fluorescent light, for best possible lighting in blast chamber, On-Off control switch for light and cartridge dust collector.

Viewing Window: Large 12"X20" tempered glass provides long life and minimizes static build up of dust.

Door Latch: Heavy-duty cam type, adjustable for positive door seal.

Glove Arm Hole: Heavy duty cloth lined vinyl snap-in gloves are quick changing.

Air Flow Regulator and Gauge: Allows adjustable air pressure to gun for proper media flow to provide finish desired.

Clean Out Door: Easy access to filter screen, trapping heavy particles from abrasives. Allows recovery of small parts that may fall from blast chamber.

Safety Foot Control: Prevents accidental blast operation.

Doors: Large double walled doors (both sides) for opening size see figure "C". Knife sealing edge assures positive seal in blast chamber.

Shaker Handle: Handle for shaking dust from cartridge.

Cartridge: 8 1/2" x 9 1/2" cartridge with 175 2" pleats.

Dust Sump: Allows dust to flow directly into waste container.

Media Hose: 1/2" media hose, from media valve to bottom fitting on blast gun.

Media Valve: Universal Feed allowing all types of abrasives to be used. 2" plug outlet for easy clean-out.

Motor: 120 volt, 15 amp switch control.

Compressed Air Inlet: 1/2" coupler for easy installation of optional moisture trap.



Media Blast Gun: Lightweight aluminum pistol grip for long life.

Interchangeable air jets and nozzles for various air supplies and media flow.

1/8" air jet supplied as standard. 5/32" – 3/16" air jets with sized nozzles supplied upon request.



Mylar Roll & Mylar Dispenser

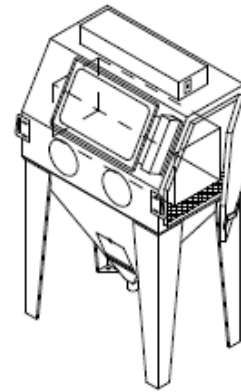


Fig. A

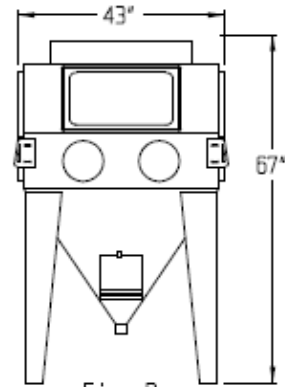


Fig. B

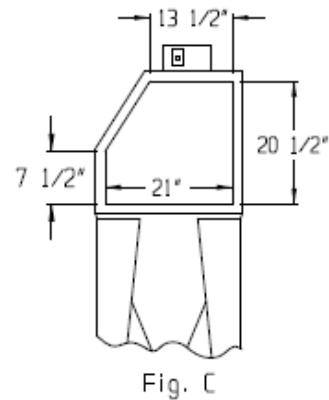


Fig. C

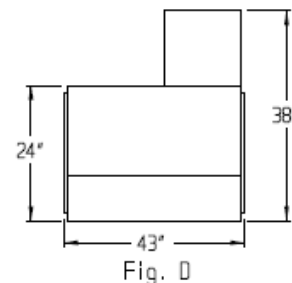


Fig. D