



DESCRIPTION:
4824 LITTLE-BLASTER™
SERIES SUCTION
BLAST CABINET 48" x 24"
ALUMINUM PISTOL GRIP MEDIA BLAST
GUN WITH 100 CFM DUST COLLECTOR

LB4824

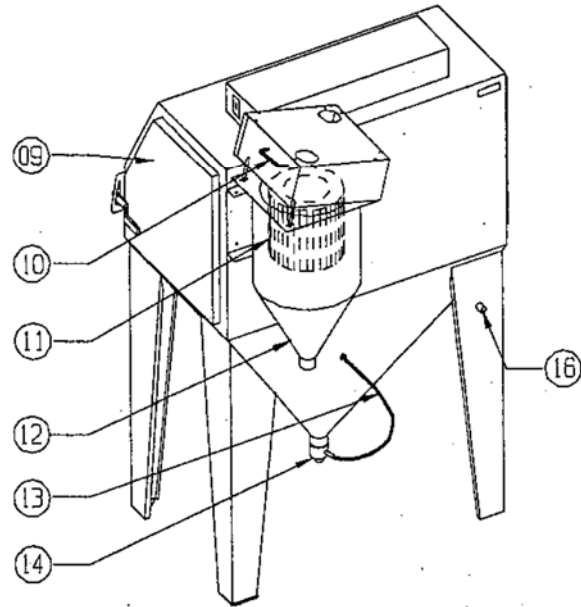
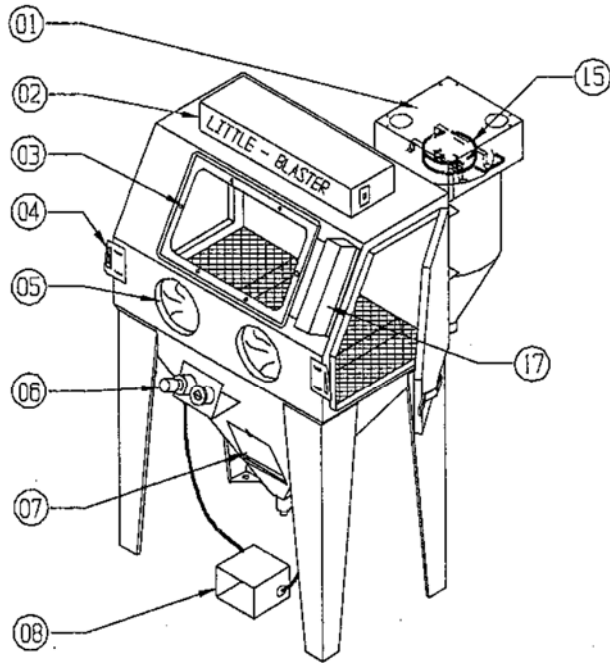
The LITTLE-BLASTER equipment was designed for the hobbyist or very light production use. The LITTLE-BLASTER is constructed from heavy gauge metal, which is continuously welded. Also incorporated into the line are several products from the BLAST-IT-ALL® production blasting equipment, proven reliability such as the blast gun. The LITTLE-BLASTER is also designed for a small company to start blasting with only a dust collector; then, without a lot of expense enables that user to convert to a reclamation system with the LITTLE-BLASTER Reclaimer Kit.

While, the LITTLE-BLASTER is limited to specifically smaller sizes than production type equipment, but it is considered the highest caliber blaster manufactured today.



BLAST-IT-ALL®
Salisbury, NC 28145
(800) 535-2612
www.blast-it-all.com
sales@blast-it-all.com





1. Dust Collector: 100 CFM cartridge type collector for better dust control providing cleaner working chamber.

2. Light Box: Two (2) tube 24" fluorescent light, for best possible lighting in blast chamber, On-Off control switch for light and cartridge dust collector.

3. Viewing Window: Large 12"X20" tempered glass provides long life and minimizes static build up of dust. Mylar Dispenser

4. Door Latch: Heavy-duty cam type, adjustable for positive door seal.

5. Glove Arm Hole: Heavy duty cloth lined vinyl snap-in gloves are quick changing

6. Air Flow Regulator and Gauge: Allows adjustable air pressure to gun for proper media flow to provide finish desired.

7. Clean out door: Easy access to filter screen, trapping heavy particles from abrasives. Allows recovery of small parts that may fall from blast chamber.

8. Safety Foot Control: Prevents accidental blast operation.

9. Doors: Large double walled doors (both sides) for opening size. Knife sealing edge assures positive seal in blast chamber.

10. Shaker Handle: Handle for shaking dust from Cartridge

11. Cartridge: 8 1/2" x 9 1/2" cartridge with 175 2" pleats

12. Dust Sump: Allows dust to flow directly into waste container.

13. Media Hose: 1/2" media hose, from media valve to bottom fitting on blast gun.

14. Media Valve: Universal Feed allowing all types of abrasives to be used. 2" plug outlet for easy clean-out.

15. Motor: 120 volt, 15 amp switch control.

16. Compressed Air Inlet: 1/2" coupler for easy installation of optional moisture trap.

17. Mylar Dispenser: Mylar roll 12 1/2 x 10 ft

Media Blast Gun: Lightweight aluminum pistol grip for long life. Interchangeable air jets and nozzles for various air supplies and media flow. 1/8" air jet supplied as standard. 5/32" - 3/16" air jets with sized nozzles supplied upon request.

Machine Construction: Heavy 14 gauge welded steel construction. Two coats of industrial quality paint.

Packing: Machine secured on wood pallet, dust collector packed under cabinet on same skid.

- Machine Options**
- Blow-Off nozzle Kit
 - Air-Line Moisture Trap
 - 20" Set-In Turntable
 - 2 Gallon Tumble Basket
 - 300 CFM Reclaim Kit

Suction Gun Air Requirements

Gun#	40 PSI	60 PSI	80 PSI
1/4" Nozzle - 1/8" Air Jet	#4 12 CFM	17 CFM	21 CFM
5/16" Nozzle - 5/32" Air Jet	#5 19 CFM	27 CFM	34 CFM
3/8" Nozzle - 3/16" Air Jet	#6 27 CFM	37 CFM	47 CFM